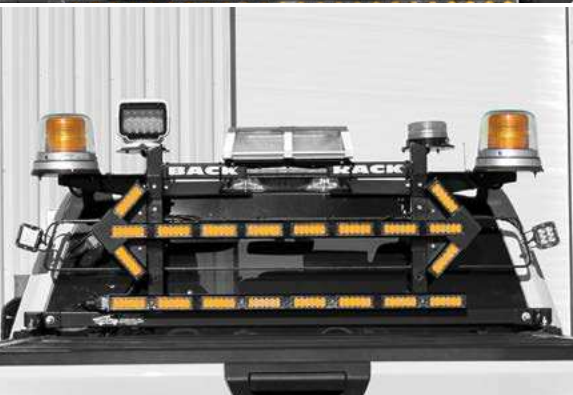


**TABLE
OF
CONTENTS**



- **BEACONS**
 - High Profile 4
 - Medium Profile..... 9
 - Low Profile 16
 - Rotator Beacons..... 23
 - Dual Color Beacons..... 24
- **MINI LIGHTBARS**
 - ECLIPSE Series..... 26
 - Apollo16" LED Mini Lightbars..... 28
 - Dual Color 30
 - LED Mini Lightbars..... 32
 - Rotator..... 33
- **LIGHTBARS**
 - Igniter Series 34
- **PERIMETER LIGHTING**
 - TITAN Series..... 36
 - Surface Mounts 38
 - Self Contained LED Strobe Heads / LED Dash Light 40
- **TRAFFIC ARROWS / DIRECTORS**
 - TITAN 57000 Traffic Arrows 42
 - ORION 58000 Traffic Arrows 45
 - Arrow Board Utility TC12..... 48
 - 54000 Traffic Arrows 50
 - Control Boxes..... 51
 - TITAN 57000 Traffic Directors..... 52
 - TITAN Traffic Director Packages 55
 - ORION 59000 Traffic Directors..... 56
 - TITAN 57900 Warning Sticks..... 58
- **BACK UP ALARMS**
 - Back Up Alarms 60
- **ILLUMINATION**
 - Go Light 62
 - Tractor/Spreader/Utility & LED Panel 63
 - Linear White Light..... 64
 - Exterior Scene Light 65
- **SNOW PLOW LIGHTING**
 - Snow Plow Lighting..... 66
- **MOUNTING SOLUTIONS**
 - Mounting Solutions..... 70
 - Temporary Mounting Solutions..... 70
- **CONTROL SOLUTIONS**
 - Switch Panels and Control Boxes..... 74
- **REPLACEMENT PARTS, WARRANTY & INDEX**
 - Cables and Cords..... 75
 - Replacement Parts..... 76
 - Limited Warranty..... 81
 - Index 82

FLEET vs. FLEET **PLUS**

SWS Fleet products are made with quality components that are manufactured to SWS' superior standards and designs. They feature a non-complex wiring and operation system while remaining on the cutting edge of lighting technology and rugged material science. These systems are excellent for vehicles that do not require excessive lighting or are utilized in straightforward applications such as off road vehicles such as agriculture equipment and small vehicles like tow motors or forklifts.

Fleet Plus (formerly Intelligent Solutions) products have similar mechanical architecture and design as our Fleet products, but more advanced electronics to allow for greater functionality and modern features.

Fleet Plus products include the following features:



BatteryCheck™

Long term operation of warning lights will deplete your vehicles battery and this is why we created the Battery check feature in our Fleet Plus series products. Battery check will detect the voltage drain on your battery and visually alert you to restart your vehicle to recharge the battery. The light will resume normal operation once it detects the battery has been replenished.



AutoDim™

Utilizing a mounted (either internally or externally) ambient light sensor, the product will reduce its light intensity for night time operations, without the need for user input. This is beneficial for vehicles with multiple warning lights or large fleet vehicles that are used for nighttime operations. Some jurisdictions are beginning to require these functions due to the glare and intensity of warning lights.



Synchronization up to 16 lights

Products can be synchronized without requiring extra devices and will communicate flash pattern selection and timing, dimming, and Batterycheck information allowing all the lights to flash and function simultaneously. Utilizing this feature will optimize the warning light control, resulting in maximum light output.



Zero EMI

The electronics in our products are designed with the lowest electromagnetic interference in mind to prevent any unwanted interference with radio equipment. LEDs and their electronics are already much less noisy than the previous generation of xenon strobes and we strive to limit or eliminate any excessive EMI produced by our lights.

TITAN

S E R I E S

SWS

Introducing the latest breakthrough from SWS, the Titan Series Modular lighthouse. The Titan is available as a rugged stand alone perimeter light or as a non-metallic modular lighthouse. The stand alone version is perfect for the unrelenting environment that is your vehicle's grill while the modular lighthouse is the heart of our new 57000 series warning sticks, traffic directors, and arrows.

The Titan uses a 12-LED merged TIR optical design to provide a blistering 4750 effective candela (Amber) warning signal, all while consuming a remarkably low amount of power.

Whether you are a body builder or contractor, you'll find that the new Titan Series offers unparalleled value and the uncompromising quality you've come to expect from SWS.

eclipse

At just 2" in height, the new Eclipse 10" mini lightbar from SWS is one of the slimmest profile lights on the market.

With it's slim profile, it sacrifices nothing in regards to visibility, durability, and reliability.



HIGH PROFILE LED BEACONS






FLEET *PLUS*



23803



Switch 766163
(sold separately)

- **10 Year Warranty** 
 - **BatteryCheck™** 
 - **AutoDim™** 
 - **Synchronization** 
 - **Zero EMI** 
- (definitions refer to page 2)*



Features

- SAE J845 (2013) Class 1 (CA13 23803 only)
- Anodized aluminum open base
- High strength polycarbonate dome and lens with UV inhibitors
- Fully encapsulated electronics for rugged durability; protecting against vibration and moisture

Available Colors



Recommended Mounting Solution

(sold separately - See page 64 for more options)

98004
Passenger Side
Mount

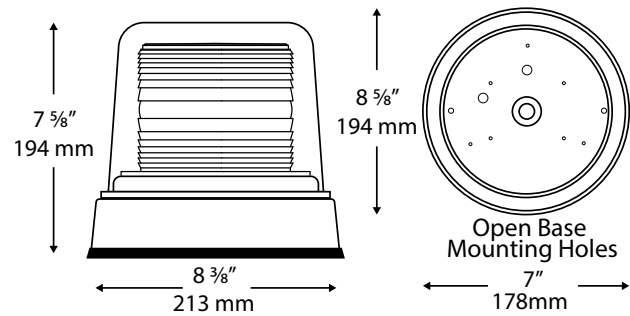


98005
Driver Side
Mount



No Drilling required, fits with Back Rack.

Dimensions



Available Models

Replacement parts

Part #	Dome/Lens	Vdc	Amps	Lumens	SAE	Mounting	# Patterns	Dome	Lens	Circuit
23802	Clear/Red	12-24	0.5-1.5	1080	-	PM	13	134-1-C	300-R	79890
✓ 23803	Clear/Amber	12-24	0.5-1.5	1080	Class 1	PM	13	134-1-C	300-A	79890
23804	Clear/Blue	12-24	0.5-1.5	828	Class 1	PM	13	134-1-C	300-B	79895
✓ 23805	Amber/Clear	12-24	0.5-1.5	1080	Class 1	PM	13	134-1-A	300-C	79890
23806	Clear/Clear	12-24	0.5-1.5	1080	Class 1	PM	13	134-1-C	300-C	79864

✓ = Top Seller | PM = Permanent Mount

HIGH PROFILE LED BEACONS

FLEET



200A-12V-A



Switch 766163
(sold separately)

Features

- SAE J845 (2013) Class 1
- Anodized aluminum open base
- High strength polycarbonate dome and lens with UV inhibitors
- Fully encapsulated electronics for rugged durability; protecting against vibration and moisture
- User selectable flash patterns; single (60 FPM), double (107 FPM) or quad (160 FPM)
- CSA Approved (12 Volt models)
- **4 Year Warranty**

Available Colors



Recommended Mounting Solution

(sold separately - See page 64 for more options)

98004

Passenger Side Mount



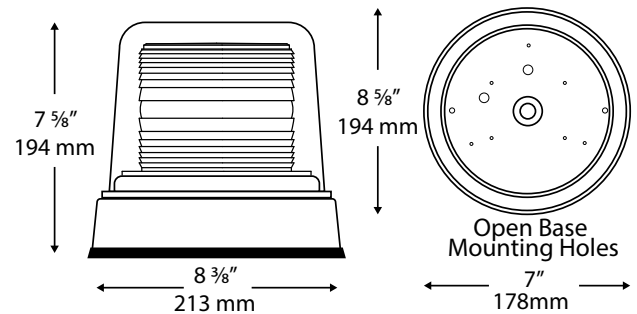
98005

Driver Side Mount



No Drilling required, fits with Back Rack.

Dimensions



Available Models									Replacement parts		
Part #	Dome/Lens	Vdc	Amps	Lumens	SAE	Mounting	CSA	# Patterns	Dome	Lens	Circuit
✓ 200A-12V-A	Clear/Amber	12-80	0.5	912	Class 1	PM	✓	3	134-1-C	300-A	79862
200A-12V-B	Clear/Blue	12-80	0.5	912	Class 2	PM	✓	3	134-1-C	300-B	79862
200A-12V-C	Clear/Clear	12-80	0.5	912	Class 2	PM	✓	3	134-1-C	300-C	79862
200A-12V-G	Clear/Green	12-80	0.5	912	-	PM	✓	3	134-1-C	300-G	79862
200A-12V-R	Clear/Red	12-80	0.5	912	Class 2	PM	✓	3	134-1-C	300-R	79862
✓ 200A-72V-A	Clear/Amber	72-125	0.1	912	Class 1	PM		3	134-1-C	300-A	79825
200A-72V-C	Clear/Clear	72-125	0.1	912	Class 2	PM		3	134-1-C	300-C	79825
200A-72V-R	Clear/Red	72-125	0.1	912	Class 2	PM		3	134-1-C	300-R	79825

✓ = Top Seller | PM = Permanent Mount

HIGH PROFILE LED BEACONS

FLEET **PLUS**



23860



23835



Switch 766163
(sold separately)

- **10 Year Warranty** 
- **BatteryCheck™** 
- **AutoDim™** 
- **Synchronization** 
- **Zero EMI** 

(definitions refer to page 2)

Features

- SAE J845 (2013) Class 1
- High strength polycarbonate construction with UV inhibitors
- Fully encapsulated electronics for rugged durability; protecting against vibration and moisture

Available Colors



Recommended Mounting Solution

(sold separately - See page 64 for more options)

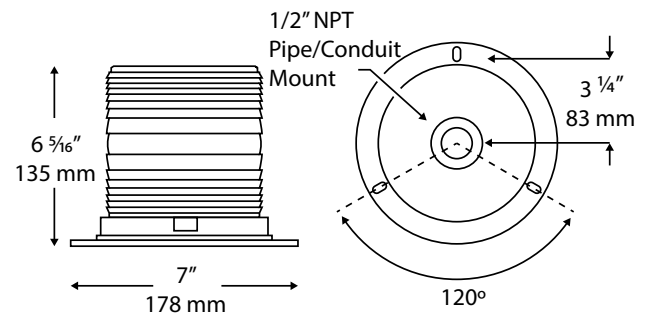
98017
Driver Side
Mount



98018
Passenger Side
Mount



Dimensions



Available Models

Part #	Lens	Vdc	Amps	Lumens	SAE	Mounting	# Patterns	Replacement parts	
								Lens	Circuit
✓ 23835	Amber	12-24	0.5-1.5	1,080	Class 1	FL	13	877307	79896
23840	Blue	12-24	0.5-1.5	828	Class 1	FL	13	877308	79898
23860	Clear	12-24	0.5-1.5	1,080	Class 1	FL	13	877309	79865

✓ = Top Seller | FL = Flange Mount

HIGH PROFILE LED BEACONS FLEET



27151



27152



Switch 766163
(sold separately)



Features

- SAE J845 (2013) Class 1
- High strength polycarbonate construction with UV inhibitors
- Fully encapsulated electronics for rugged durability; protecting against vibration and moisture
- User selectable flash patterns; single (60 FPM), double (107 FPM) or quad (160 FPM)
- **4 Year Warranty**

Available Colors



Recommended Mounting Solution

(sold separately - See page 64 for more options)

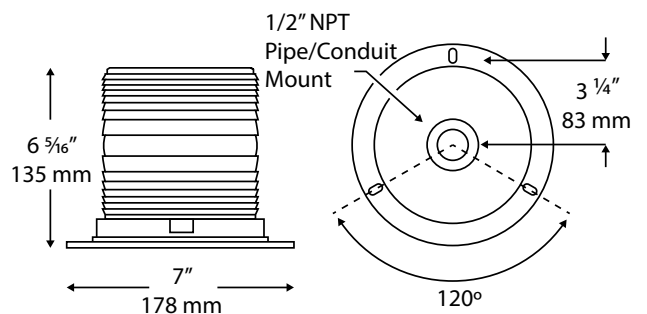
98017
Driver Side
Mount



98018
Passenger Side
Mount



Dimensions



Available Models								Replacement parts	
Part #	Lens	Vdc	Amps	Lumens	SAE	Mounting	# Patterns	Lens	Circuit
✓ 27151	Clear	12-80	0.1-0.5	912	Class 1	FL	3	877309	79866
27152	Amber	12-80	0.1-0.5	912	Class 1	FL	3	877307	79866
27153	Blue	12-80	0.1-0.5	912	Class 1	FL	3	877308	79866

✓ = Top Seller | FL = Flange Mount

HIGH PROFILE LED BEACONS

FLEET



23600



Switch 766163
(sold separately)

Features

- SAE J845 (2013) Class 1
- High strength polycarbonate construction with UV inhibitors
- Fully encapsulated electronics for rugged durability
- User selectable Batterycheck option standard
- **3 Year Warranty**

Available Colors



Recommended Mounting Solution

(sold separately - See page 64 for more options)

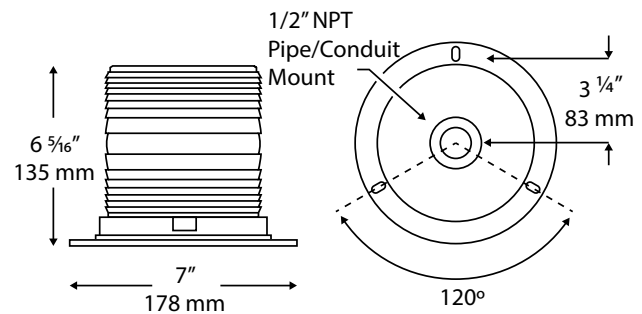
98017
Driver Side
Mount



98018
Passenger Side
Mount



Dimensions



Available Models								Replacement parts		
Part #	Lens	Vdc	Amps	Lumens	SAE	Mounting	# Patterns	Lens	Circuit	Cord
23600	Amber	12	0.5A	810	Class 1	PM	14			-
23600M	Amber	12	0.5A	810	Class 1	MM	14			96013
23600V	Amber	12	0.5A	810	Class 1	VM	14			96013

✓ = Top Seller | PM = Permanent Mount | MM = Magnetic Mount | VM = Vacuum Mount

MEDIUM PROFILE LED BEACONS

FLEET



208RM-12V-A



208R-12V-A



Switch 766163
(sold separately)

Features

- SAE J845 (2013) Class 2
- Polycarbonate lens, corrosion proof silicone rubber base
- Fully encapsulated electronics for rugged durability; protecting against vibration and moisture
- User selectable flash patterns; single (60 FPM), double (107 FPM) or quad (160 FPM)
- **4 Year Warranty**

Available Colors



Recommended Mounting Solution

(sold separately - See page 64 for more options)

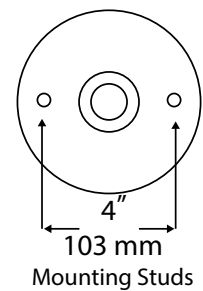
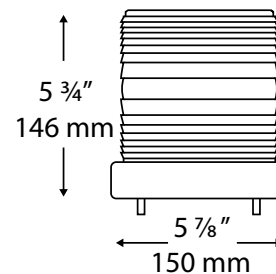
98017
Driver Side
Mount



98018
Passenger Side
Mount



Dimensions



Available Models

Available Models								Replacement parts		
Part #	Lens	Vdc	Amps	Lumens	SAE	Mounting	# Patterns	Lens	Circuit	Cord
✓ 208R-12V-A	Amber	12-80	0.5	456	Class 2	PM	3	299-A	79826	-
✓ 208RM-12V-A	Amber	12	0.1-0.5	456	Class 2	MM	3	299-A	79826	96013

✓ = Top Seller | PM = Permanent Bracket Mount | MM = Magnetic Mount

MEDIUM PROFILE LED BEACONS

FLEET *PLUS*



23816



23815



Switch 766163
(sold separately)

- 10 Year Warranty 
- BatteryCheck™ 
- AutoDim™ 
- Synchronization 
- Zero EMI 

(definitions refer to page 2)

Features

- SAE J845 (2013) Class 1
- High strength polycarbonate construction with UV inhibitors
- Fully encapsulated electronics for rugged durability; protecting against vibration and moisture
- AutoDim™ and Synchronization not available in magnetic mount versions

Available Colors



Recommended Mounting Solution

(sold separately - See page 64 for more options)

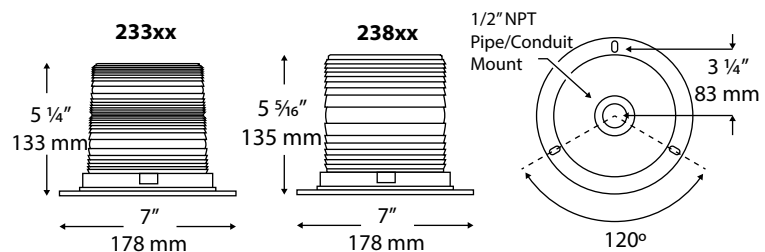
98017
Driver Side
Mount



98018
Passenger Side
Mount



Dimensions



Available Models

Part #	Lens	Vdc	Amps	Lumens	SAE	Mounting	# Patterns	Replacement parts		
								Lens	Circuit	Cord
✓ 23815	Amber	12-24	0.1-1.5	1080	Class 1	FL	13	300-S-A	79890	-
23819	Blue	12-24	0.1-1.5	828	Class 1	FL	13	300-S-B	79895	-
23827	Clear	12-24	0.1-1.5	1080	Class 1	FL	13	300-S-C	79864	-
23816	Amber	12	0.1-1.5	1080	Class 1	MM	13	300-S-A	79890	96013
23820	Blue	12	0.1-1.5	828	Class 1	MM	13	300-S-B	79895	96013

✓ = Top Seller | MM = Magnetic Mount | FL = Flange Mount

MEDIUM PROFILE LED BEACONS

FLEET



27001



27021
Magnet Mount



27112
Vacuum magnet Mount



27061
Mirror Bracket Mount



Switch 766163
(sold separately)

Features

- SAE J845 (2013) Class 1
- High strength polycarbonate construction with UV inhibitors
- Fully encapsulated electronics for rugged durability; protecting against vibration and moisture
- User selectable flash patterns; single (60 FPM), double (107 FPM) or quad (160 FPM)
- Multiple mounting options for your application
- **4 Year Warranty**

Available Colors



Recommended Mounting Solution

(sold separately - See page 64 for more options)

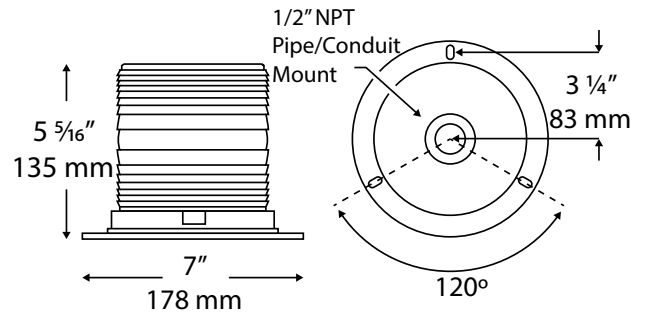
98017
Driver Side Mount



98018
Passenger Side Mount



Dimensions



Available Models								Replacement parts		
Part #	Lens	Vdc	Amps	Lumens	SAE	Mounting	# Patterns	Lens	Circuit	Cord
✓ 27001	Amber	12-80	0.5	912	Class 1	FL	3	300-S-A	79862	-
27002	Blue	12-80	0.5	912	Class 2	FL	3	300-S-B	79862	-
27003	Clear	12-80	0.5	912	Class 2	FL	3	300-S-C	79862	-
27011	Amber	72-125	0.5	912	Class 1	FL	3	300-S-A	79825	-
27015	Red	72-125	0.5	912	Class 2	FL	3	300-S-R	79825	-
✓ 27021	Amber	12	0.1-0.5	912	Class 1	MM	3	300-S-A	79862	96013
27022	Blue	12	0.1-0.5	912	Class 2	MM	3	300-S-B	79862	96013
27023	Clear	12	0.1-0.5	912	Class 2	MM	3	300-S-C	79862	96013
27112	Amber	12	0.1-0.5	912	Class 1	VM	3	300-S-A	79862	96013
27113	Blue	12	0.1-0.5	912	Class 2	VM	3	300-S-B	79862	96013
27061	Amber	12-80	0.5	912	Class 1	MB	3	300-S-A	79862	-

✓ = Top Seller | MB = Mirror Bracket Mount | MM =Magnetic Mount | VM = Vacuum Mount| FL = Flange Mount

MEDIUM PROFILE LED BEACONS

FLEET *PLUS*



230S-12V-A



Switch 766163
(sold separately)

- 10 Year Warranty 
- BatteryCheck™ 
- AutoDim™ 
- Synchronization 
- Zero EMI 

(definitions refer to page 2)

Features

- SAE J845 (2013) Class 1
- Polycarbonate closed base design and stainless steel banding ring
- Adaptive thermal management for maximum colour stability & light output
- Fully encapsulated electronics for rugged durability against vibration and moisture
- AutoDim™ and Synchronization not available in Magnetic Mount versions

Available Colours



Recommended Mounting Solution

(sold separately - See page 64 for more options)

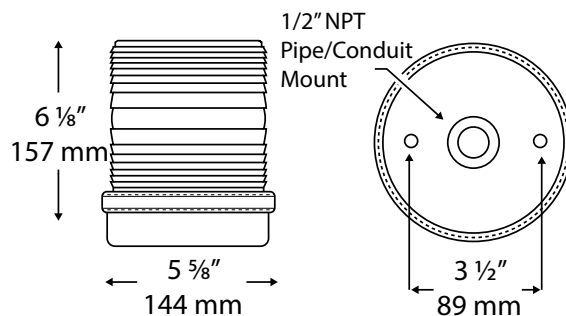
98017
Driver Side
Mount



98018
Passenger Side
Mount



Dimensions



Available Models

Part #	Lens	Vdc	Amps	Lumens	SAE	Mounting	# Patterns	Replacement parts		
								Lens	Circuit	Cord
230S-12V-A	Amber	12	0.5	810	Class 1	PM	14	300-S-A	79892	-
230SM-12V-A	Amber	12	0.5	810	Class 1	MM	14	300-S-A	79892	
230SV-12V-A	Amber	12	0.5	810	Class 1	VM	14	300-S-A		

✓ = Top Seller | PM = Permanent Mount | MM = Magnetic Mount | VM = Vacuum Mount

MEDIUM PROFILE LED BEACONS FLEET



200SM-12V-A



200S-12V-A



Switch 766163
(sold separately)

Features

- SAE J845 (2013) Class 1
- Polycarbonate closed base design and stainless steel banding ring
- Fully encapsulated electronics for rugged durability; protecting against vibration and moisture
- User selectable flash patterns; single (60 FPM), double (107 FPM) or quad (160 FPM)
- **4 Year Warranty**

Available Colors



Recommended Mounting Solution

(sold separately - See page 64 for more options)

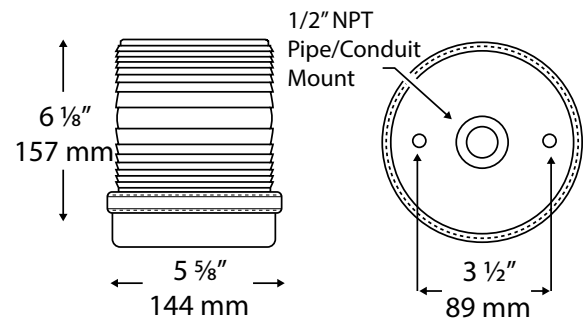
98017
Driver Side
Mount



98018
Passenger Side
Mount



Dimensions



Available Models								Replacement parts		
Part #	Lens	Vdc	Amps	Lumens	SAE	Mounting	# Patterns	Lens	Circuit	Cord
✓ 200S-12V-A	Amber	12-80	0.5	912	Class 1	PM	3	300-S-A	79866	-
200S-12V-B	Blue	12-80	0.5	912	Class 2	PM	3	300-S-B	79866	-
200S-12V-C	Clear	12-80	0.5	912	Class 2	PM	3	300-S-C	79866	-
200S-72V-A	Amber	72-125	0.5	912	Class 1	PM	3	300-S-A	79868	-
200S-72V-C	Clear	72-125	0.5	912	Class 2	PM	3	300-S-C	79868	-
200S-72V-R	Red	72-125	0.5	912	Class 2	PM	3	300-S-R	79868	-
✓ 200SM-12V-A	Amber	12	0.1-0.5	912	Class 1	MM	3	300-S-A	79866	96013
200SM-12V-B	Blue	12	0.1-0.5	912	Class 2	MM	3	300-S-B	79866	96013

✓ = Top Seller | PM = Permanent Mount | MM = Magnetic Mount

MEDIUM PROFILE LED BEACONS

FLEET^{PLUS}



23500



23500M



23500V

- 10 Year Warranty
- BatteryCheck™
- AutoDim™
- Synchronization
- Zero EMI



(definitions refer to page 2)

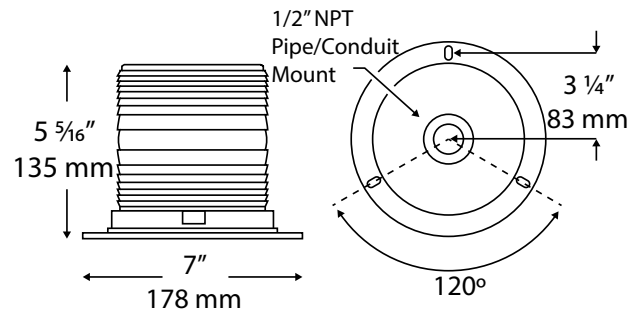


Switch 766163
(sold separately)

Features

- SAE J845 (2013) Class 1
- Polycarbonate base with snap-in polycarbonate fresnel lens
- Fully encapsulated electronics for rugged durability against vibration and moisture
- Add M or V at the end of the part number for Magnetic and Vacuum Magnetic Mount
- AutoDim™ and Synchronization not available in Magnetic Mount or Vacuum Magnetic mount versions

Dimensions



Recommended Mounting Solution

(sold separately - See page 64 for more options)

98017
Driver Side
Mount



98018
Passenger Side
Mount



Available Models								Replacement parts		
Part #	Lens	Vdc	Amps	Lumens	SAE	Mounting	# Patterns	Lens	Circuit	Cord
23500	Amber	12	0.5	810	Class 1	PM	14	300-S-A	79892	-
23500M	Amber	12	0.5	810	Class 1	MM	14	300-S-A	79892	96013
23500V	Amber	12	0.5	810	Class 1	VM	14	300-S-A	79892	96013

✓ = Top Seller | MB = Mirror Bracket Mount | MM = Magnetic Mount | VM = Vacuum Mount | FL = Flange Mount

MEDIUM PROFILE LED BEACONS FLEET



23400



23400M
Magnet Mount



23400V
Vacuum magnet Mount



Switch 766163
(sold separately)

Features

- SAE J845 (2013) Class 1 Requirements
- High strength polycarbonate construction with UV inhibitors
- Fully encapsulated electronics for rugged durability against vibration and moisture
- User selectable batterycheck option standard
- **3 Year Warranty**

Recommended Mounting Solution

(sold separately - See page 64 for more options)

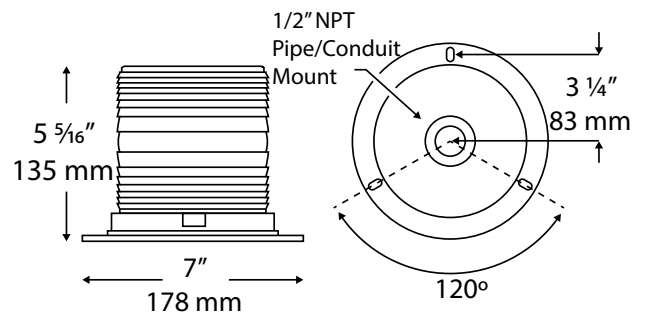
98017
Driver Side
Mount



98018
Passenger Side
Mount



Dimensions



Available Models								Replacement parts		
Part #	Lens	Vdc	Amps	Lumens	SAE	Mounting	# Patterns	Lens	Circuit	Cord
23400	Amber	12	0.5	912	Class 1	PM	14	300-S-A	79862	-
23400M	Amber	12	0.5	912	Class 1	MM	14	300-S-A	79862	96013
23400V	Amber	12	0.5	912	Class 1	VM	14	300-S-A	79862	96013

✓ = Top Seller | MB = Mirror Bracket Mount | MM =Magnetic Mount | VM = Vacuum Mount| FL = Flange Mount

LOW PROFILE LED BEACONS

FLEET *PLUS*



23101



23817



Switch 766163
(sold separately)

- **10 Year Warranty** 238xx Series 
 - **BatteryCheck™** 
 - **AutoDim™** 
 - **Synchronization** 
 - **Zero EMI** 238xx Series 
- (definitions refer to page 2)*

Features

- SAE J845 (2013) Class 1 (Amber models only)
- High strength polycarbonate construction with UV inhibitors
- Fully encapsulated electronics for rugged durability; protecting against vibration and moisture
- AutoDim™ and Synchronization not available in magnetic mount versions
- 231xx **5 Year Warranty**

Available Colors



Recommended Mounting Solution

(sold separately - See page 64 for more options)

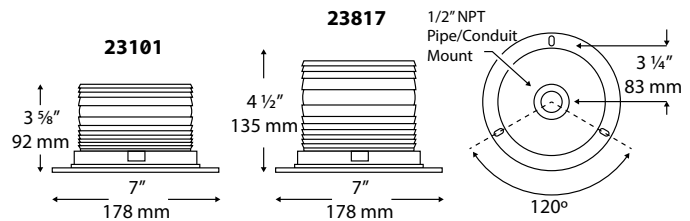
98017
Driver Side
Mount



98018
Passenger Side
Mount



Dimensions



Available Models

Part #	Lens	Vdc	Amps	Lumens	SAE	Mounting	# Patterns	Replacement parts	
								Lens	Circuit
✓ 23817	Amber	12-24	0.1-1.5	1080	Class 1	PM	13	877334	79896
23821	Blue	12-24	0.1-1.5	828	Class 2	PM	13	877335	79898
23818	Amber	12	0.1-1.5	1080	Class 1	MM	13	877334	79896
23822	Blue	12	0.1-1.5	828	Class 2	MM	13	877335	79898
23101	Amber	12-24	0.1 - 1.3	1824	Class 1	FL	23	877461	-
23105	Blue	12-24	0.1 - 1.3	1824	Class 2	FL	23	877463	-
23109	Clear	12-24	0.1 - 1.3	1824	Class 2	FL	23	877459	-
23102	Amber	12	0.1 - 1.3	1824	Class 1	MM	23	877461	-
23106	Blue	12	0.1 - 1.3	1824	Class 2	MM	23	877463	-

✓ = Top Seller | PM = Permanent Mount | MM = Magnetic Mount | FL = Flange Mount

LOW PROFILE LED BEACONS FLEET



23715



27006



27066

Mirror bracket mount



Switch 766163
(sold separately)



96012
Magnet Mount Kit
(sold separately for 23715 only)

Features

- SAE J845 (2013) Class 2
- High strength polycarbonate construction with UV inhibitors
- Fully encapsulated electronics for rugged durability; protecting against vibration and moisture
- User selectable flash patterns; single (60 FPM), double (107 FPM) or quad (160 FPM)
- Multiple mounting options for your application
- **4 Year Warranty**

Available Colors



Recommended Mounting Solution

(sold separately - See page 64 for more options)

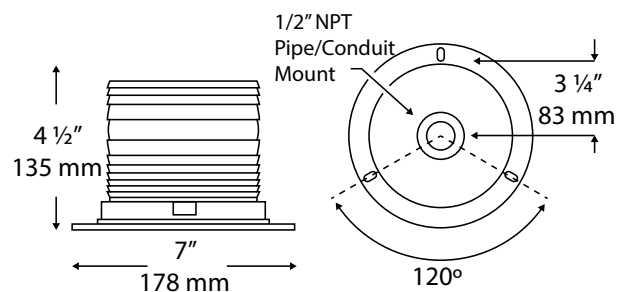
98017
Driver Side
Mount



98018
Passenger Side
Mount



Dimensions



Available Models								Replacement parts	
Part #	Lens	Vdc	Amps	Lumens	SAE	Mounting	# Patterns	Lens	Circuit
✓ 27006	Amber	12-80	0.1-0.5	912	Class 2	FL	3	877334	79866
27007	Blue	12-80	0.1-0.5	912	Class 2	FL	3	877335	79866
27008	Clear	12-80	0.1-0.5	912	Class 2	FL	3	877337	79866
27016	Amber	72-125	0.1	912	Class 2	FL	3	877334	79868
27020	Red	72-125	0.1	912	Class 2	FL	3	877336	79868
✓ 27026	Amber	12	0.1-0.5	912	Class 2	MM	3	877334	79866
27027	Blue	12	0.1-0.5	912	Class 2	MM	3	877335	79866
27066	Amber	12-80	0.1-0.5	912	Class 2	MB	3	877334	79866
27067	Blue	12-80	0.1-0.5	912	Class 2	MB	3	877335	79866
23715	Amber	12-24	0.1-1.5	1,080	Class 2	PM	13	877334	79896

✓ = Top Seller | MB = Mirror Bracket Mount | MM = Magnetic Mount | PM = Permanent Mount | FL = Flange Mount

LOW PROFILE LED BEACONS

FLEET **PLUS**



20790



20760



Switch 766163
(sold separately)

- 10 Year Warranty
- BatteryCheck™
- AutoDim™
- Synchronization
- Zero EMI

(definitions refer to page 2)

Features

- SAE J845 (2013) Class 1 (Amber & White models only)
- Polycarbonate lens, powder coated die-cast base and stainless steel banding ring
- Fully encapsulated electronics for rugged durability; protecting against vibration and moisture
- AutoDim™ and Synchronization not available in magnetic mount versions

Available Colors



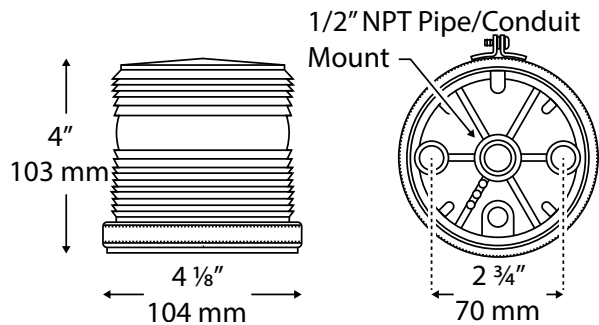
Recommended Mounting Solution

(sold separately - See page 64 for more options)

98008



Dimensions



Available Models								Replacement parts	
Part #	Lens	Vdc	Amps	Lumens	SAE	Mounting	# Patterns	Lens	Circuit
✓ 20790	Amber	12	0.2-0.5	810	Class 1	PM	14	330-A	79880
20791	Blue	12	0.2-0.5	621	Class 2	PM	14	330-B	79891
20792	Clear	12	0.2-0.5	810	Class 1	PM	14	330-C	79888
20793	Red	12	0.2-0.5	810	Class 2	PM	14	330-R	79880
20760	Amber	12	0.2-0.5	810	Class 1	MM	14	330-A	79879
20761	Blue	12	0.2-0.5	621	Class 2	MM	14	330-B	79886
20762	Clear	12	0.2-0.5	810	Class 1	MM	14	330-C	79884
20765	Red	12	0.2-0.5	810	Class 2	MM	14	330-R	79879

✓ = Top Seller | PM = Permanent Mount | MM = Magnetic Mount

LOW PROFILE LED BEACONS FLEET



200Z-12V-A



200ZM-12V-A



Switch 766163
(sold separately)

Features

- SAE J845 (2013) Class 2
- Polycarbonate lens, powder coated die-cast base and stainless steel banding ring
- Fully encapsulated electronics for rugged durability; protecting against vibration and moisture
- User selectable flash patterns; single (60 FPM), double (107 FPM) or quad (160 FPM)
- **4 Year Warranty**

Available Colors



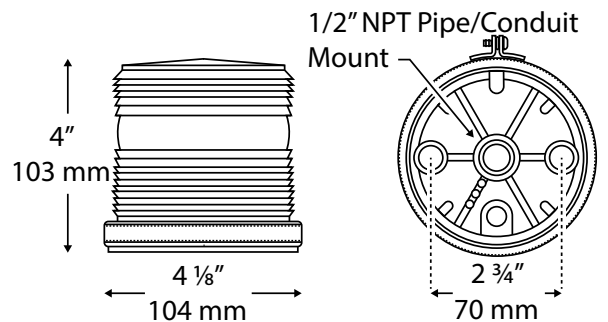
Recommended Mounting Solution

(sold separately - See page 64 for more options)

98008



Dimensions



Available Models								Replacement parts	
Part #	Lens	Vdc	Amps	Lumens	SAE	Mounting	# Patterns	Lens	Circuit
✓ 200Z-12V-A	Amber	12-80	0.1-0.5	456	Class 2	PM	3	330-A	79822
200Z-12V-B	Blue	12-80	0.1-0.5	456	Class 2	PM	3	330-B	79822
200Z-12V-C	Clear	12-80	0.1-0.5	456	Class 2	PM	3	330-C	79822
✓ 200ZM-12V-A	Amber	12	0.1-0.5	456	Class 2	MM	3	330-A	79822
200ZM-12V-B	Blue	12	0.1-0.5	456	Class 2	MM	3	330-B	79822
200ZM-12V-G	Green	12	0.1-0.5	456	Class 2	MM	3	330-G	79822

✓ = Top Seller | MM = Magnetic Mount | PM = Permanent Mount

LOW PROFILE LED BEACONS

FLEET **PLUS**



20796








20780



20796B



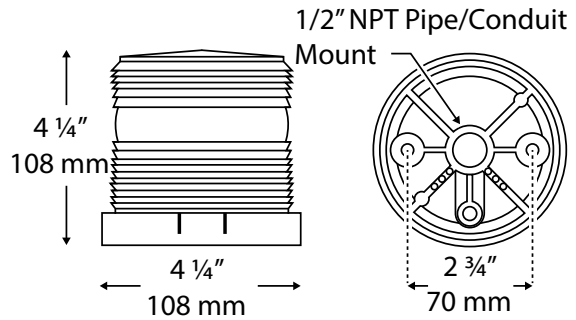
Switch 766163
(sold separately)

- **10 Year Warranty** 
- **BatteryCheck™** 
- **AutoDim™** 
- **Synchronization** 
- **Zero EMI**
(No radio interference)
(definitions refer to page 2) 

Features

- SAE J845 (2013) Class 1 (Amber & White models only)
- Polycarbonate base with snap-in polycarbonate fresnel lens
- Fully encapsulated electronics for rugged durability; protecting against vibration and moisture
- AutoDim™ and Synchronization not available in magnetic mount versions

Dimensions



Available Colors



Recommended Mounting Solution

(sold separately - See page 64 for more options)

98008



Available Models								Replacement parts		
Part #	Lens	Vdc	Amps	Lumens	SAE	Mounting	# Patterns	Lens	Circuit	Cord
✓ 20796	Amber	12	0.2-0.5	810	Class 1	PM	14	330-A	79880	-
20797	Blue	12	0.2-0.5	621	Class 2	PM	14	330-B	79891	-
20798	Clear	12	0.2-0.5	810	Class 1	PM	14	330-C	79888	-
20799	Red	12	0.2-0.5	810	Class 2	PM	14	330-R	79880	-
20780	Amber	12	0.2-0.5	810	Class 1	MM	14	330-A	79879	96013
20781	Blue	12	0.2-0.5	621	Class 2	MM	14	330-B	79886	96013
20782	Clear	12	0.2-0.5	810	Class 1	MM	14	330-C	79884	96013
20785	Red	12	0.2-0.5	810	Class 2	MM	14	330-R	79879	96013
20796B	Amber	12	0.2-0.5	810	Class 1	MB	14	330-A	79880	-

✓ = Top Seller | PM = Permanent Mount | MM = Magnetic Mount | MB = Mirror Bracket Mount

LOW PROFILE LED BEACONS FLEET



201Z-12V-A



201ZM-12V-A



201ZB-12V-A



201ZS-12V-A



Switch 766163
(sold separately)

Features

- SAE J845 (2013) Class 2
- Polycarbonate base with snap-in polycarbonate fresnel lens
- Fully encapsulated electronics for rugged durability; protecting against vibration and moisture
- User selectable flash patterns; single (60 FPM), double (107 FPM) or quad (160 FPM)
- Permanent or 1/2" NPT mount standard
- Magnetic mount, mirror bracket mount & suction cup mount available
- **4 Year Warranty**

Available Colors



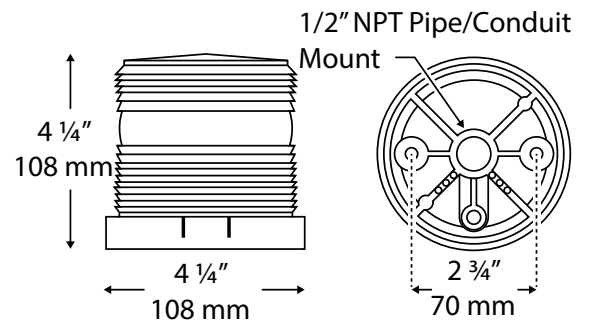
Recommended Mounting Solution

(sold separately - See page 64 for more options)

98008



Dimensions



Available Models								Replacement parts		
Part #	Lens	Vdc	Amps	Lumens	SAE	Mounting	# Patterns	Lens	Circuit	Cord
✓ 201Z-12V-A	Amber	12-80	0.1-0.5	456	Class 2	PM	3	330-A	79822	-
201Z-12V-B	Blue	12-80	0.1-0.5	456	Class 2	PM	3	330-B	79822	-
201Z-12V-C	Clear	12-80	0.1-0.5	456	Class 2	PM	3	330-C	79822	-
✓ 201ZM-12V-A	Amber	12	0.1-0.5	456	Class 2	MM	3	330-A	79822	96013
201ZM-12V-B	Blue	12	0.1-0.5	456	Class 2	MM	3	330-B	79822	96013
201ZM-12V-G	Green	12	0.1-0.5	456	Class 2	MM	3	330-G	79822	96013
✓ 201ZB-12V-A	Amber	12-80	0.1-0.5	456	Class 2	MB	3	330-A	79822	-
201ZB-12V-B	Blue	12-80	0.1-0.5	456	Class 2	MB	3	330-B	79822	-
✓ 201ZS-12V-A	Amber	12	0.1-0.5	456	Class 2	SC	3	330-A	79822	96013

✓ = Top Seller | MM = Magnetic Mount | PM = Permanent Mount | MB = Mirror Bracket Mount | SC = Suction Cup Mount

LOW PROFILE LED BEACONS

FLEET



204R-12V-A



204RM-12V-A



Switch 766163
(sold separately)

Features

- SAE J845 (2013) Class 2
- Polycarbonate lens, scratch resistant silicone rubber base and corrosion proof housing
- Fully encapsulated electronics for rugged durability; protecting against vibration and moisture
- User selectable flash patterns; single (60 FPM), double (107 FPM) or quad (160 FPM)
- **4 Year Warranty**

Dimensions

Available Colors



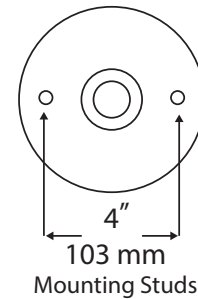
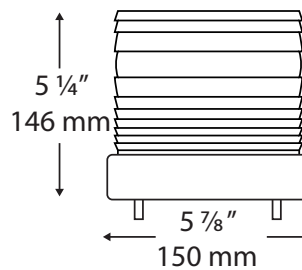
Recommended Mounting Solution

(sold separately - See page 64 for more options)

98017
Driver Side
Mount



98018
Passenger Side
Mount



Available Models

Available Models								Replacement parts	
Part #	Lens	Vdc	Amps	Lumens	SAE	Mounting	# Patterns	Lens	Circuit
✓ 204R-12V-A	Amber	12-80	0.1-0.5	456	Class 2	PM	3	298-A	79821
✓ 204RM-12V-A	Amber	12	0.1-0.5	456	Class 2	MM	3	298-A	79821

✓ = Top Seller | PM = Permanent Mount | MM = Magnetic Mount

ROTATOR BEACONS FLEET



28100



28001



Switch 766150
(sold separately)

Available Colors



Recommended Mounting Solution

(sold separately - See page 64 for more options)

98017

Driver Side Mount



98018

Passenger Side Mount



98004

Passenger Side Mount High Profile Beacon



98005

Driver Side Mount High Profile Beacon

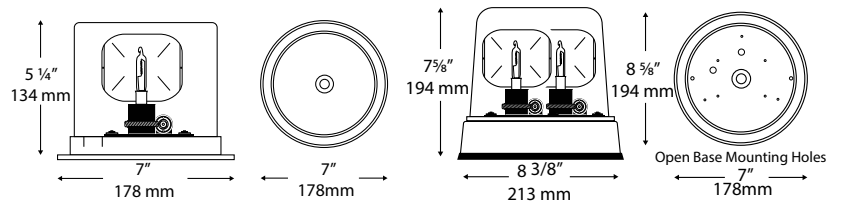


No Drilling required, fits with Back Rack.

Features

- SAE J845 (2013) Class 1
- High Profile: Anodized aluminum base, open bottom design
- Medium Profile: Polycarbonate base, optional flange included
- Polycarbonate dome
- Gear driven rotator assembly with stainless steel bearings and vibration resistant mounts for long life
- Magnetic mount versions available
- **1 Year Warranty** (on rotator assembly)

Dimensions



Available Models								Replacement parts	
Part #	Lens	Vdc	Amps	Watts	SAE	Mounting	FPM	Lens	Bulb
Medium Profile									
✓ 28001	Amber	12	3	35	Class 1	FL	85	877401	2073-796
28002	Blue	12	3	35	Class 1	FL	85	877402	2073-796
28003	Clear	12	3	35	Class 1	FL	85	877403	2073-796
28031	Amber	24	1.5	35	Class 1	FL	85	877401	2073-H50W24V
28032	Blue	24	1.5	35	Class 1	FL	85	877402	2073-H50W24V
✓ 28011	Amber	12	3	35	Class 1	MM	85	877401	2073-796
28012	Blue	12	3	35	Class 1	MM	85	877402	2073-796
28014	Green	12	3	35	Class 1	MM	85	877404	2073-796
High Profile									
28100	Amber	12	6	70	Class 1	PM	170	134-1-A	2073-796
28101	Blue	12	6	70	Class 1	PM	170	134-1-B	2073-796
28105	Amber	24	3	70	Class 1	PM	170	134-1-A	2073-H50W24V
28106	Blue	24	3	70	Class 1	PM	170	134-1-B	2073-H50W24V

✓ = Top Seller | MM = Magnetic Mount | PM = Permanent Mount | FL = Flange Mount

DUAL COLOR LED BEACONS

FLEET^{PLUS}



LOW



MEDIUM



HIGH

Common Color Combinations



Features

- Low, medium and high profile configurations
- Clear dome and lens with dual color LEDs
- Superior strength, impact resistant polycarbonate base and lens (22609 Anodized aluminium base)
- Autodim™ (22332 & 22335 Models)
- Switch 766155 included with 22335
- Multiple models to suit your needs
- Multiple mounting options for your application
- Other color combinations available upon request

- 5 Year Warranty
- Synchronization



(definitions refer to page 2)



Switch 766152
(sold separately)

Recommended Mounting Solution

(sold separately - See page 64 for more options)

98017
Driver Side
Mount



98018
Passenger Side
Mount



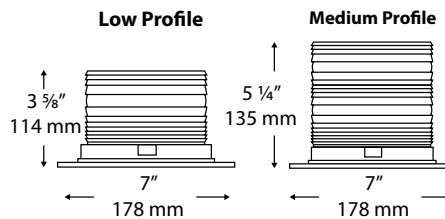
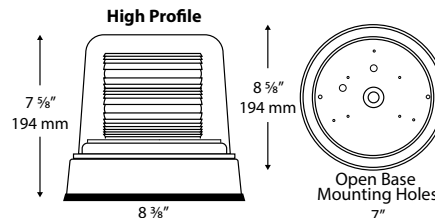
98004
Passenger Side Mount
High Profile Beacon



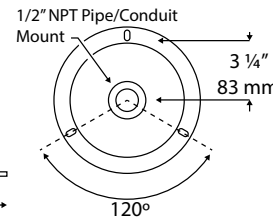
98005
Driver Side Mount
High Profile Beacon



Dimensions



Quad Flash Only
for 1 pattern



Available Models

Part #	Profile	Dome/Lens/Flash	Vdc	Amps	Lumens	SAE	Mounting	# Patterns	Replacement parts
									Dome / Lens
22117	Low	-/Clear/A-B	12-24	0.1-0.7	A: 454 B: 320	Class 2	FL	1	877456
22332	Medium	-/Clear/A-B	12-24	0.1-0.9	A: 908 B: 640	Class 2	FL	23	877451
22333	Medium	-/Clear/R-W	12-24	0.1-0.9		Class 2	FL	23	877451
*22335	Medium	-/Clear/A-B	12-24	0.1-0.8	A: 908 B: 640	Class 2	FL	1	877451
22342	Medium	-/Clear/A-R	12-24	0.1-0.8		Class 2	PM	1	877451
22336	Medium	-/Clear/A-B	12-24	0.1-0.9	A: 908 B: 640	Class 2	FL	1	877451
22609	High	Clear/Clear/A-B	12-24	0.2-1.4	A: 908 B: 640	Class 1	PM	1	134-1-C / 877452

* Switch 766155 included with 22335

✓ = Top Seller | A = Amber | B=Blue | PM= Permanent Mount | FL=Flange Mount

eclipse

SWS

At just 2" in height, the Eclipse mini lightbar from SWS is one of the slimmest profile lights on the market.

Despite its slim profile, it sacrifices nothing in regards to visibility, durability, and reliability.

- Ultra efficient LEDs and dual-beam optics drive it beyond SAE Class 1 standards for omni-directional devices.
- Its precision molded outer dome and die-cast aluminum base protect the critical electrical components from unforgiving environments.

The wide selection of colors, mounting options, and unparalleled technical features ensure that there is an Eclipse for your application.



ECLIPSE 10" LED MINI LIGHTBARS

FLEET **PLUS**



16610

A
LED



Switch 766163
(sold separately)



16616

- **5 Year Warranty**
- **BatteryCheck™**
- **AutoDim™**
- **Synchronization**
- **Zero EMI**



(definitions refer to page 2)

Features

- **LOW 2 INCH PROFILE**
- SAE J845 (2013) Class 1 and CA 13 requirements
- Rugged Polycarbonate Dome and Lenses with UV inhibitors
- Heavy Duty Die-cast E-Coated Aluminum Base
- Permanent Mount & 1" NPT Standard
- AutoDim™ & Synchronization not available in magnetic mount or vacuum magnetic mount versions

Available Colors



Recommended Mounting Solution

(sold separately - See page 64 for more options)

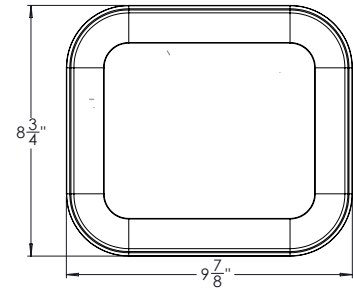
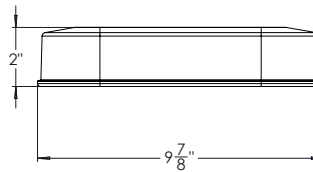
98086



98087



Dimensions



Available Models

Part #	Dome/Flash	Vdc	Amps	Lumens	SAE	Mounting	# Patterns	Replacement Dome
✓ 16610	Amber / Amber	12-24	0.3-3.0	2280	Class 1	PM	17	877209A
16611	Blue / Blue	12-24	0.3-3.0	684	Class 1	PM	17	877209B
16612	Clear / White	12-24	0.3-3.0	2280	Class 1	PM	17	877209C
16613	Green / Green	12-24	0.3-3.0	1748	-	PM	17	877209G
16615	Red / Red	12-24	0.3-3.0	1026	Class 1	PM	17	877209R
✓ 16616	Clear / Amber	12-24	0.3-3.0	2280	Class 1	PM	17	877209C
16617	Clear / Blue	12-24	0.3-3.0	684	Class 1	PM	17	877209C
16618	Clear / Green	12-24	0.3-3.0	1748	-	PM	17	877209C
16619	Clear / Red	12-24	0.3-3.0	1026	Class 1	PM	17	877209C

✓ = Top Seller | PM = Permanent Mount

ECLIPSE 10" LED MINI LIGHTBARS

FLEET **PLUS**

SWS



16610M



16616M

A
LED



16610V



16616V

A
LED



16610S



16616S

A
LED

Available Models								Replacement Parts	
Part #	Dome/Flash	Vdc	Amps	Lumens	SAE	Mounting	# Patterns	Dome	Replacement Mag
✓16610x	Amber / Amber	12	0.3-3.0	2280	Class 1	x	17	877209A	200107
16611x	Blue / Blue	12	0.3-3.0	684	Class 1	x	17	877209B	200107
16612x	Clear / White	12	0.3-3.0	2280	Class 1	x	17	877209C	200107
16613x	Green / Green	12	0.3-3.0	1748	-	x	17	877209G	200107
16615x	Red / Red	12	0.3-3.0	1026	Class 1	x	17	877209R	200107
✓16616x	Clear / Amber	12	0.3-3.0	2280	Class 1	x	17	877209C	200107
16617x	Clear / Blue	12	0.3-3.0	684	Class 1	x	17	877209C	200107
16618x	Clear / Green	12	0.3-3.0	1748	-	x	17	877209C	200107
16619x	Clear / Red	12	0.3-3.0	1026	Class 1	x	17	877209C	200107
16625	Clear/ R/W	12	0.3-3.0		Class 1	PM	17	877209C	
16626	Clear/ A/W	12	0.3-3.0		Class 1	PM	17	877209C	
16667	Clear/ A/B	12	0.3-3.0		Class 1	PM	17	877209C	

✓ = Top Seller | Replace x with M for Magnetic Mount, V for Vacuum Magnetic Mount or S for Suction cup Mount

APOLLO 16" LED MINI LIGHTBARS

FLEETPLUS



16311



16310



16338

A



Switch 766163
(sold separately)

- 10 Year Warranty
- BatteryCheck™
- AutoDim™
- Synchronization
- Zero EMI
(No radio interference)
(definitions refer to page 2)

Features

- Patented 90 LED configuration
- SAE J845 (2013) Class 1 and CA 13 requirements
- Premium optics, extruded aluminum base with T-slot mounting, polycarbonate outer dome and lens
- Magnetic mount and vacuum magnetic mount versions available
- AutoDim™ and Synchronization not available in magnetic mount versions
- CSA Approved
- * Vacuum mag mount not recommended for aluminum body trucks

Available Colors



Recommended Mounting Solution

(sold separately - See page 64 for more options)

98012

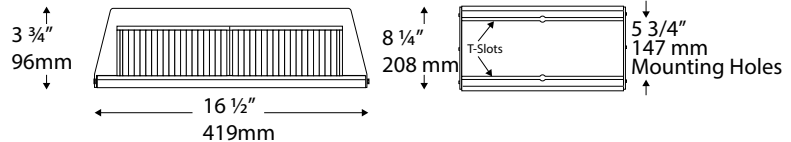
16" Mini lightbar Mounting Plate

98014

Mounting Plate Riser



Dimensions



Available Models

Available Models										Replacement Parts	
Part #	Dome/Lens/Flash	Vdc	Amps	Lumens	SAE	Mounting	CSA	# Patterns		Dome	Lens
✓ 16310	Clear/Amber/Amber	12-24	0.8-3	2700	Class 1	PM	✓	23		877226	877701
✓ 16311	Amber/Clear/Amber	12-24	0.8-3	2700	Class 1	PM	✓	23		877227	877700
✓ 16338	Clear/Clear/Amber	12-24	0.8-3	2700	Class 1	PM	✓	23		877226	877700
16348	Clear/Clear/White	12-24	0.8-3		Class 1	PM	✓	23		877227	877700
16312	Clear/Amber/Amber	12	0.8-3	2700	Class 1	MM	✓	23		877226	877701
16313	Amber/Clear/Amber	12	0.8-3	2700	Class 1	MM	✓	23		877227	877700
16339	Clear/Clear/Amber	12	0.8-3	2700	Class 1	MM	✓	23		877226	877700
16349	Clear/Amber/Amber	12	0.8-3	2700	Class 1	VM	✓	23		877226	877701
16350	Amber/Clear/Amber	12	0.8-3	2700	Class 1	VM	✓	23		877227	877701
16351	Clear/Clear/Amber	12	0.8-3	2700	Class 1	VM	✓	23		877227	877701

* Magnet Mount conversion kit 96024

✓ = Top Seller PM = Permanent Mount | MM = Magnetic Mount | VM = Vacuum Mount

APOLLO 16" LED MINI LIGHTBARS

FLEET



16211



16214

Features

- **Patented 90 LED configuration**
- SAE J845 (2013) Class 1 and CA13
- BatteryCheck™ alerts you to critically low battery voltage
- Premium optics, extruded aluminum base with T-slot mounting, polycarbonate outer dome and lens
- Optional magnet mount conversion kit 96011
- CSA Approved
- **5 Year Warranty**



Suction Cup Kit 96022
(sold separately)



Magnet Mount conversion kit 96011



Switch 766163
(sold separately)

Recommended Mounting Solution

(sold separately - See page 64 for more options)

98012

16" Mini lightbar Mounting Plate

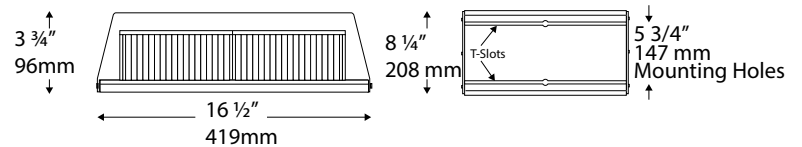


98014

Mounting Plate Riser



Dimensions



Available Models									Replacement Parts	
Part #	Dome/Lens	Vdc	Amps	Lumens	SAE	Mounting	CSA	# Patterns	Dome	Lens
✓ 16211	Amber/Clear	12-24	0.8-3	2700	Class 1	PM	✓	23	877227	877700
16214	Clear/Amber	12-24	0.8-3	2700	Class 1	PM	✓	23	877226	877700

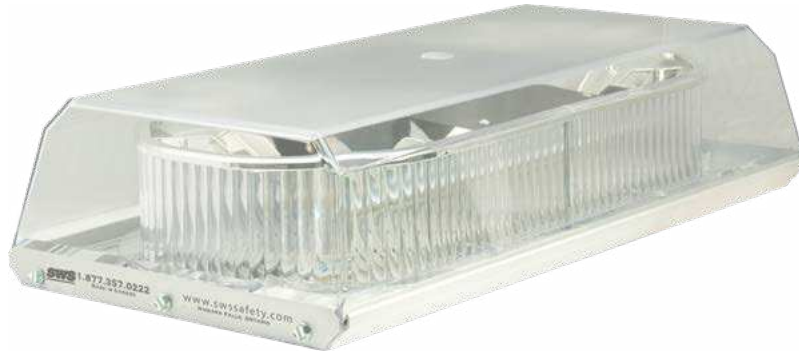
✓ = Top Seller | PM = Permanent Mount

DUAL COLOR LED MINI LIGHTBARS

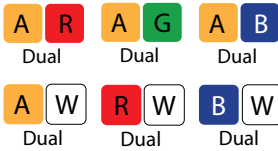
FLEET **PLUS**



Switch 766171
(sold separately)



Common Color Combinations



Features

- SAE J845 (2013) Class 2
- Premium optics, extruded aluminium base with T-slot mounting, polycarbonate outer dome and lens
- User selectable flash patterns (23)
- Other color combinations available upon request
- CSA Approved
- 16884 includes 766155 switch and wire

• **5 Year Warranty**



• **AutoDim™**



(definitions refer to page 2)

Recommended Mounting Solution

(sold separately - See page 64 for more options)

98012

16" Mini lightbar Mounting Plate

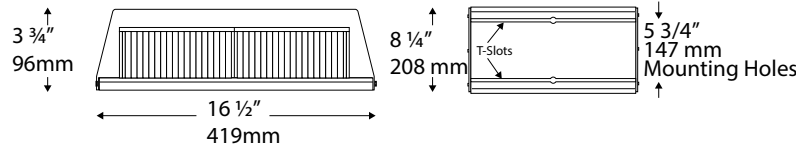


98014

Mounting Plate Riser



Dimensions



Available Models

Part #	Dome/Lens/LED	Vdc	Amps	Lumens	SAE	Mounting	CSA	# Patterns	Replacement Dome
16392	Clear/Clear/B-W	12-24	1.1-2.8	B:1120 W:3192	Class 2	PM	✓	23	877226
16393	Clear/Clear/R-W	12-24	1.1-2.8	R:1590 W:3192	Class 2	PM	✓	23	877226
16394	Clear/Clear/A-W	12-24	1.1-2.8	A:1590 W:3192	Class 2	PM	✓	23	877226
✓ 16395	Clear/Clear/A-R	12-24	1.1-2.8	A: 1590 R: 1590	Class 2	PM	✓	23	877226
16398	Clear/Clear/A-G	12-24	1.1-2.8	A:1590 G:2445	Class 2	PM	✓	23	877226
16399	Clear/Clear/A-B	12-24	1.1-2.8	A:1590 B:1120	Class 2	PM	✓	23	877226
✓ *16884	Clear/Clear/A-B	12-24	1.1-2.8	A:1590 B:1120	Class 2	PM	✓	23	877226

*Switch 766155 included with 16884

✓ = Top Seller | PM = Permanent Mount

DUAL COLOR LED MINI LIGHTBARS

FLEET



Switch 766152
(sold separately)

Common Color Combinations



Recommended Mounting Solution

(sold separately - See page 64 for more options)

98012

16" Mini lightbar Mounting Plate



98014

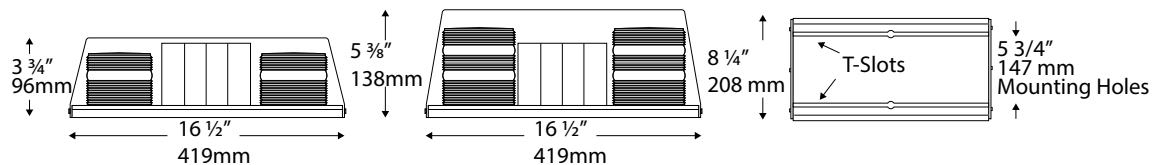
Mounting Plate Riser



Features

- Premium fresnel optics, extruded aluminium base with T-slot mounting and polycarbonate outer dome with UV inhibitors
- Other color combinations available upon request
- **5 Year Warranty**

Dimensions



Available Models

Part #	Dome/Lens/LED	Vdc	Amps	Lumens	SAE	Mounting	# Patterns	Replacement Parts	
								Dome	Lens
✓ 16931	Clear/Clear/A-B	12-24	1.3-1.9	A:908 B:640	Class 2	PM	1	877226	877460

✓ = Top Seller | PM = Permanent Mount

LED MINI LIGHTBARS

FLEET

16031



HIGH

16032



HIGH



Switch 766155
(sold separately)

Features

- SAE J845 (2013) Class 2
- Premium fresnel optics, extruded aluminium base with T-slot mounting and polycarbonate outer dome with UV inhibitors
- Fully encapsulated electronics for rugged durability against vibration and moisture
- User selectable flash patterns; single (60 FPM), double (107 FPM) or quad (160 FPM)
- **4 Year Warranty**

Available Colors



Recommended Mounting Solution

(sold separately - See page 64 for more options)

98012

16" Mini lightbar Mounting Plate

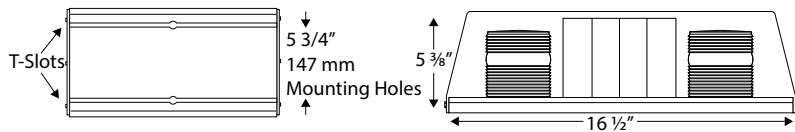


98014

Mounting Plate Riser



Dimensions



Available Models

Part #	Dome/Lens	Vdc	Amps	Lumens	SAE	Mounting	# Patterns	Replacement Parts	
								Dome	Lens
✓ 16031	Amber/Clear	12-24	0.5-0.8	456	Class 2	PM	3	877211	333-C
16032	Amber/Clear	12	0.5-0.8	456	Class 2	MM	3	877211	333-C

✓ = Top Seller | MM = Magnetic Mount | PM = Permanent Mount

ROTATOR MINI LIGHTBARS

FLEET

16001



HIGH



Switch 766150
(sold separately)

Features

- Exceeds SAE J845 (2013) Class 1
- Impact resistant polycarbonate dome with UV inhibitors
- Extruded aluminium base with T-Slot Mounting
- Gear driven rotator assembly with stainless steel bearings and vibration resistant mounts for long life
- Refer to replacement parts for replacement bulbs (pg 71)
- **1 Year Warranty** (Rotator Assembly)

Available Colors



Recommended Mounting Solution

(sold separately - See page 64 for more options)

98012

16" Mini lightbar Mounting Plate

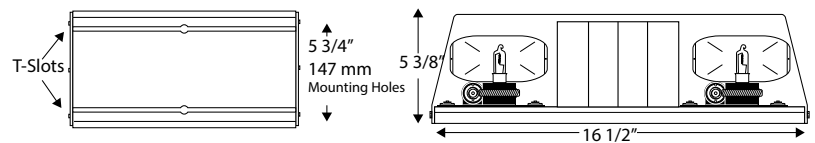


98014

Mounting Plate Riser



Dimensions



Available Models

Available Models									Replacement Parts		
Part #	Dome	Vdc	Amps	Watts	SAE	Mounting	FPM	Dome	Rotator Assem.	Bulbs	
✓ 16001	Amber	12	6	70	Class1	PM	170	877211	920-0	2073-796	
16006	Amber	12	6	70	Class1	MM	170	877211	920-0	2073-796	

✓ = Top Seller | PM = Permanent Mount | MM = Magnetic Mount

LIGHTBARS

IGNITER SERIES



Features

- SAE J845 (2013) Class 1, CA13, CE, and R10
- Upgraded optics to improve brightness and visibility
- 48 flash patterns
- Other configurations available (call factory)
- Aluminum chassis, polycarbonate base and lens
- Range of strap mounting accessory kits
- Standard nine conductor wiring harness
- **3 Year Warranty**
- Dimensions: 48"L x 2.5"H x 11"W
54"L x 2.5"H x 11"W
60"L x 2.5"H x 11"W

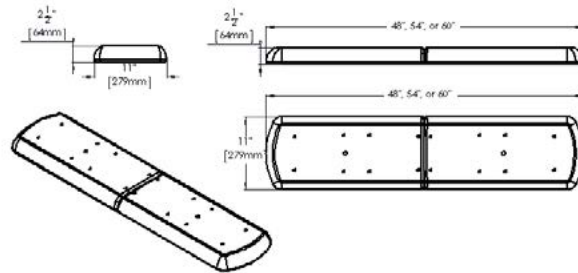
77520
(sold separately)



Available Colors



Dimensions



Included

98052



Universal Mounting Kit
(Other mounting kits available)

Lightbar Mounting Kits

Replacement Parts

Part #	Car Models	Motherboard	Light	STT
98022	Ford Escape/Explore '12-'17	79302	79300	79301
98052	Universal Headrack Mount	-	-	-
98059	Ford Super Duty Truck '10-'14	79302	79300	79301
98062	Dodge Charger '11-'14 Ford PPV/SUV '12-'14 Chevy Caprice '12-'14	79302	79300	79301
98074	GM Truck 1/2T 2017	79302	79300	79301
98075	Dodge Ram 1500 (2009-2017) Dodge Ram 2500 (2010-2017)	79302	79300	79301
98081	Roof Rack with Nylon Feet	-	-	-

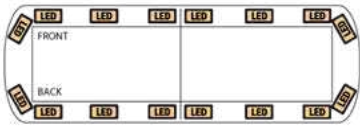
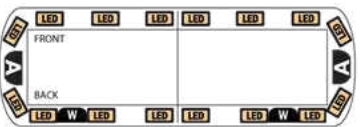
✓ = Top Seller

LIGHTBARS

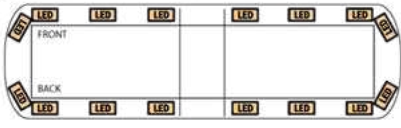
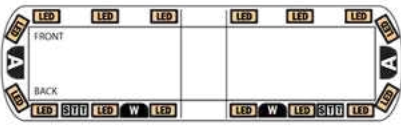
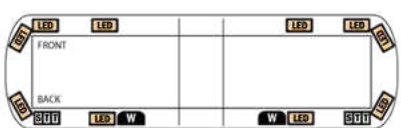
SWS

IGNITER SERIES

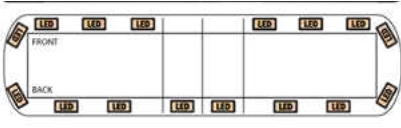
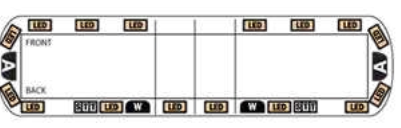


48" Bars		Part #	Vdc	Amps	LEDs	WL	AL	STT
		26040	12-24	7.2	16	-	-	-
		26041	12-24	10.8	16	✓	✓	-



54" Bars		Part #	Vdc	Amps	LEDs	WL	AL	STT
		26050	12-24	7.2	16	-	-	-
		26051	12-24	11	16	✓	✓	✓
		26052	12-24	6.5	10	✓	-	✓



60" Bars		Part #	Vdc	Amps	LEDs	WL	AL	STT
		26060	12-24	7.2	16	-	-	-
		26061	12-24	11	16	✓	✓	✓

✓ = Top Seller | WL= Work Light | AL= Alley Light | STT= Stop Tail Turn

PERIMETER LIGHTING

TITAN Series

TITAN



S E R I E S



82006PC



Switch 766163
(sold separately)

- 5 Year Warranty 
- Synchronization 
- Dual Row - 2x the LEDs
(definitions refer to page 2)

Features

- SAE J595 (2014) Class 1
- Fully encapsulated waterproof housing
- 4 mounting bracket options
- Lumes Amber 360, White 360, Blue 108

Available Colors

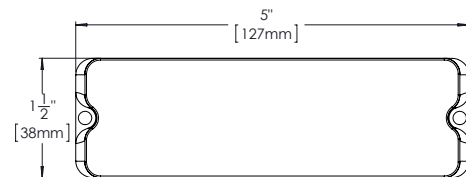
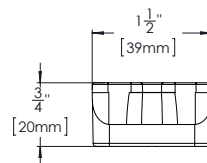


Recommended Mounting Solution

(sold separately - See page 64 for more options)



Dimensions



Nyloc™ Nut
(pre-installed)

Part #	Vdc	Amps	#of LEDs	Lens Color	LED Color	Flash Patterns	Housing
82001PC	12-24	0.3A	12	CLR	Blue	13	Polycarbonate
✓ 82002PC	12-24	0.3A	12	CLR	White	13	Polycarbonate
82003PC	12-24	0.3A	12	CLR	Green	13	Polycarbonate
82005PC	12-24	0.3A	12	CLR	Red	13	Polycarbonate
82006PC	12-24	0.3A	12	CLR	Amber	13	Polycarbonate
98076	Single Bracket						
98077	Double Horizontal						
98078	Double Vertical						
98079	Triple Vertical						

* All mounting brackets are supplied with stainless steel #8-32 socket head cap screws and have pre-installed Nyloc™ nuts for ease of installation.

✓ = Top Seller PC = Polycarbonate

PERIMETER LIGHTING



TITAN Series - DUAL/SPLIT Color

TITAN

S E R I E S



82026PC



Switch 766163
820xx series
(sold separately)



Switch 766155
821xx series
(sold separately)



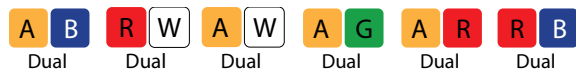
Switch 766171
Dual Color
(sold separately)

- **5 Year Warranty**
- **Synchronization**
- **Dual Row - 2x the LEDs**
(definitions refer to page 2)

Features

- SAE J595 (2014) Class 2
- 821xx series allows for individual color control
- 4 mounting bracket options
- Other color combinations available upon request
- See mounting solutions and dimensions on opposite page

Common Color Combinations



Part #	Vdc	Amps	Lens Color	LED Color	Flash Patterns	Housing	Color Control
✓ 82016PC	12-24	0.3A	CLR	Amber/Blue	13	Polycarbonate	Split -
✓ 82026PC	12-24	0.3A	CLR	Amber/White	13	Polycarbonate	Split -
82036PC	12-24	0.3A	CLR	Amber/Green	13	Polycarbonate	Split -
82056PC	12-24	0.3A	CLR	Amber/Red	13	Polycarbonate	Split -
82015PC	12-24	0.3A	CLR	Red/Blue	13	Polycarbonate	Split -
82115PC	12-24	0.3A	CLR	Red/Blue	13	Polycarbonate	Dual ✓
✓ 82116PC	12-24	0.3A	CLR	Amber/Blue	13	Polycarbonate	Dual ✓
82125PC	12-24	0.3A	CLR	Red/White	13	Polycarbonate	Dual ✓
✓ 82126PC	12-24	0.3A	CLR	Amber/White	13	Polycarbonate	Dual ✓
82136PC	12-24	0.3A	CLR	Amber/Green	13	Polycarbonate	Dual ✓
82156PC	12-24	0.3A	CLR	Amber/Red	13	Polycarbonate	Dual ✓

✓ = Top Seller PC = Polycarbonate

PERIMETER LIGHTING

Surface Mounts

Features

- Synchronizable for simultaneous or alternate flashing
- Die-cast base
- Tough polycarbonate lens
- Full rubber seals
- Mounting brackets are available
- Steady on option
- **3 Year Warranty**

8007x Series



Switch 766175
(sold separately)

80058

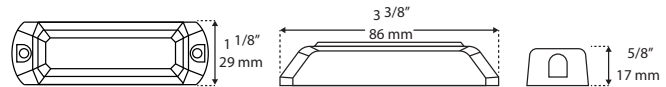


80059



Dimensions

8007x Series



Available Colors



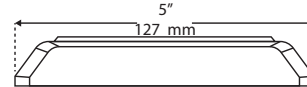
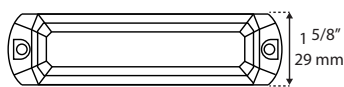
Recommended Mounting Solution

(sold separately - See page 64 for more options)

80090

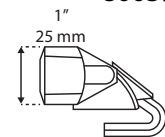
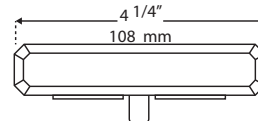
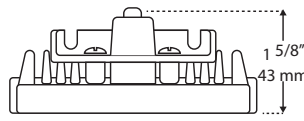


80091



80058

80059



Available Models

Part #	Vdc	Amps	LED Color	# of LEDs	Mounting	# Flash Patterns	Dimension	SAE	CA 13
80058	12-24	0.5	Amber	6	Surface	19	5" L x 5/8" H x 1 5/8" D	1	✓
✓ 80059	12-24	0.5	Amber	6	Hood Bracket	19	4 1/4" L x 1 5/8" H x 1" D	1	✓
80065	12-24	0.5	Red	6	Surface	19	5" L x 5/8" H x 1 5/8" D	1	✓
80066	12-24	0.7	Blue	6	Surface	19	5" L x 5/8" H x 1 5/8" D	1	
80071	12-24	0.3	Amber	3	Surface	12	3 3/8" L x 1 1/8" H x 5/8" D	1	
✓ 80072	12-24	0.4	Blue	3	Surface	12	3 3/8" L x 1 1/8" H x 5/8" D	2	
✓ 80073	12-24	0.4	Green	3	Surface	12	3 3/8" L x 1 1/8" H x 5/8" D	N/A	
80074	12-24	0.3	Red	3	Surface	12	3 3/8" L x 1 1/8" H x 5/8" D	1	
80075	12-24	0.4	White	3	Surface	12	3 3/8" L x 1 1/8" H x 5/8" D	2	
✓ 80080	12-24	0.7	White	6	Surface	19	5" L x 5/8" H x 1 5/8" D	1	
80081	12-24	0.7	AM/WH	6	Surface	19	5" L x 5/8" H x 1 5/8" D	N/A	
80084	12-24	0.7	AM/BL	6	Hood Bracket	19	5" L x 5/8" H x 1 5/8" D	N/A	

✓ = Top Seller

PERIMETER LIGHTING

Surface Mounts

Features

- Low profile for discrete mounting
- Synchronizable for simultaneous or alternate flashing
- Die-cast base
- Tough polycarbonate lens
- Full rubber seals
- Mounting brackets are available
- **3 Year Warranty**



Switch 766175
sold Separately



80271



80258

Available Colors



Recommended Mounting Solution

(sold separately - See page 64 for more options)

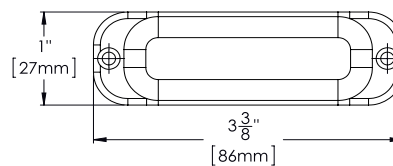
80090



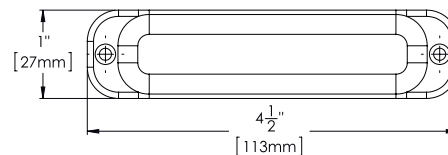
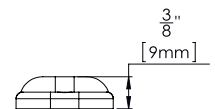
80291



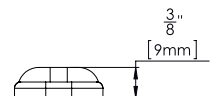
Dimensions



3 LEDs



6 LEDs



Available Models

Part #	Vdc	Amps	LED Color	# of LEDs	Mounting	# Flash Patterns	Dimension	SAE	CA 13
✓ 80271	12-24	0.4	Amber	3	Surface	12	3 3/8"L x 1"H x 3/8"D	1	✓
80272	12-24	0.4	Blue	3	Surface	12	3 3/8"L x 1"H x 3/8"D	1	
80273	12-24	0.4	Green	3	Surface	12	3 3/8"L x 1"H x 3/8"D	N/A	
80274	12-24	0.3	Red	3	Surface	12	3 3/8"L x 1"H x 3/8"D	1	
80275	12-24	0.4	White	3	Surface	12	3 3/8"L x 1"H x 3/8"D	1	✓
✓ 80258	12-24	0.6	Amber	6	Surface	19	4 1/2"L x 1"H x 3/8"D	1	
80266	12-24	0.6	Blue	6	Surface	19	4 1/2"L x 1"H x 3/8"D	1	✓
80265	12-24	0.4	Red	6	Surface	19	4 1/2"L x 1"H x 3/8"D	1	
80280	12-24	0.6	White	6	Surface	19	4 1/2"L x 1"H x 3/8"D	1	✓
✓ 80281	12-24	0.6	AM/WH	6	Surface	19	4 1/2"L x 1"H x 3/8"D	1	
80278	12-24	0.5	Red/BL	6	Surface	19	4 1/2"L x 1"H x 3/8"D	1	
80090	L Brackets for 3 LED								
80291	L Brackets for 6 LED								

✓ = Top Seller

PERIMETER LIGHTING

Self Contained LED Strobes



Features

- SAE J595 (2014) Class 1
- Waterproof grommet mount
- Can be synchronizable in alternating patterns
- Includes pigtail and grommet
- Quad Flash only
- **Oval mounting option (98601) sold separately**

Available Models				Replacement
Part #	VDC	LED Color	Dimensions	Parts
Round				
✓ 80010	12-24	Red	4" D x 1 3/4" H	110145
✓ 80011	12-24	Amber	4" D x 1 3/4" H	110145
80012	12-24	Blue	4" D x 1 3/4" H	110145
80013	12-24	White	4" D x 1 3/4" H	110145
Oval				
✓ 80014	12-24	Red	6 3/8" L x 2 1/3" x 1 3/4" H	
✓ 80015	12-24	Amber	6 3/8" L x 2 1/3" x 1 3/4" H	
80016	12-24	Blue	6 3/8" L x 2 1/3" x 1 3/4" H	
80017	12-24	White	6 3/8" L x 2 1/3" x 1 3/4" H	

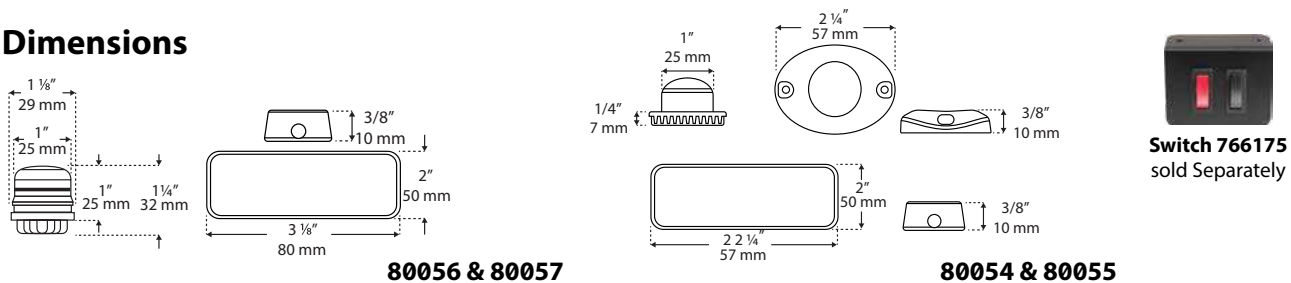
Headlight Inserts

Features

- Synchronizable for simultaneous or alternate flashing
- Aluminium base for optimum thermal transfer
- In-line driver and extension cable
- Easy installation
- Bezel can be bought separately (Part# 866100)
- **3 Year Warranty**



Dimensions



Available Models		Vdc	Amps	LED Color	# of LEDs	Mounting
Part #	Part #					
Waterproof Connector	Standard Connector					
80054W	80054	12-24	1.8	White	6	Screw
80055W	80055	12-24	1.8	Amber	6	Screw
80056W	80056	12-24	1.8	White	6	Pop-in
80057W	80057	12-24	1.8	Amber	6	Pop-in

✓ = Top Seller



TITAN

SERIES

Hermetically Sealed Heads: Ultrasonically welding the lens to the base and sealing the wire exit hole, allows for a waterproof and dust proof seal with an IP69 rating.

Field Replaceable Heads: The light modules are field replaceable with the spring clip fastening system and connectorized wire harness.

Waterproof Connectors: The high quality TE Deutsch connector provides superior waterproofing and a secure connection for all the lighthead and main power lines.

Cargo Lighting & AutoDim: Fleet Plus models feature an on board photosensor which will automatically dim the lighthead under low ambient light levels. The Fleet Plus models also include 2 white cargo lights to provide some illumination to the area directly behind the traffic director.

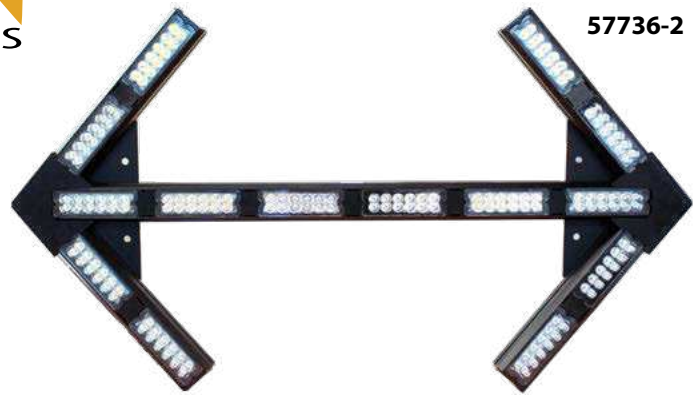
Unparalleled Light Output: The lighthead produce a blistering 4750cd warning signal per module, while consuming very little power. Furthermore, the projection optics allow the light to be seen well in advance of the vehicle.

57000 SERIES TRAFFIC ARROWS

FLEET

TITAN

S E R I E S



Control Box & Cable Options *(sold separately)*



77501



Main Power Cable
To be used with 77501
20' - 77260
30' - 77261
40' - 77262
50' - 77263



**77504 Outdoor
Rated Switch Box**



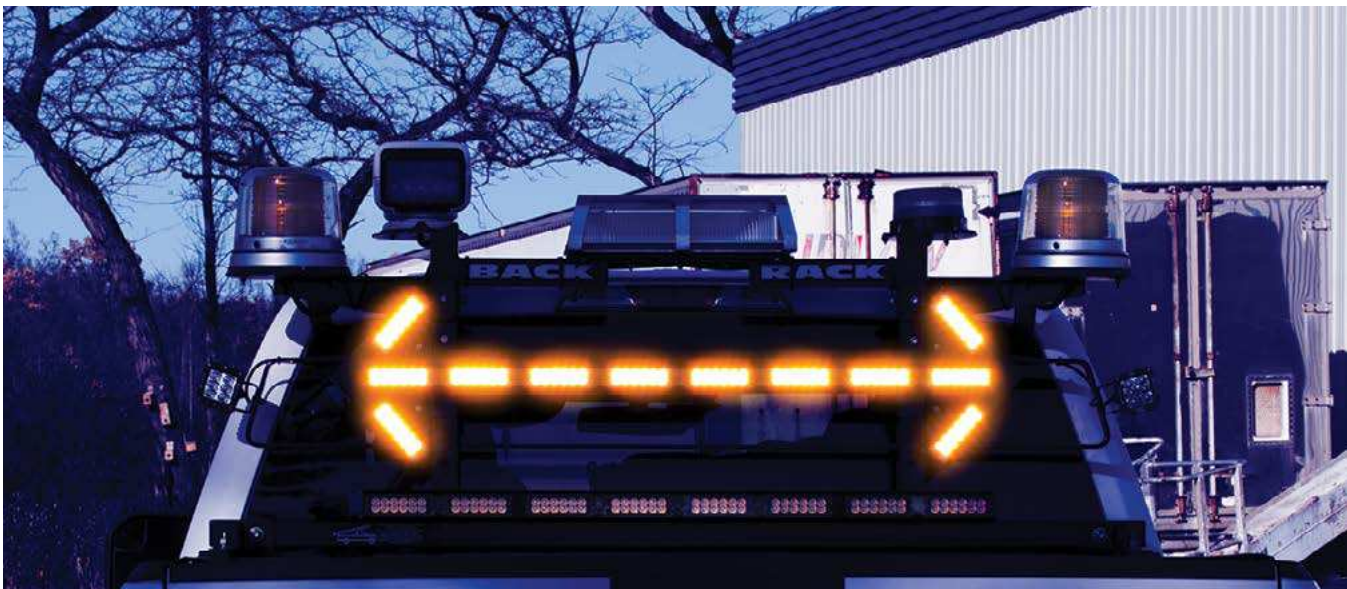
Main Power Cable
To be used with 77504
10' - 77270
20' - 77271
30' - 77272
40' - 77273



Adaptor Cable
77280

Features

- The hermetically sealed light-head will not be affected by outside factors such as temperature, humidity & condensation
- NO DOWN TIME – heads are field replaceable in less than one minute! (Replacement Head 79906)
- SWS pressure clip system ensure that no special tools are ever required
- A choice of control platforms – cab-mounted slim-line control box or NEW outdoor rated switch box
- All electrical connections are made using the industry known and trusted DTM series connections from TE
- Adapter kit available for use on existing wire installations (77280)
- Stop-Turn lighting kits available (96050)
- **5 Year Warranty (Control box 1 Year Warranty)**



57000 SERIES TRAFFIC ARROWS

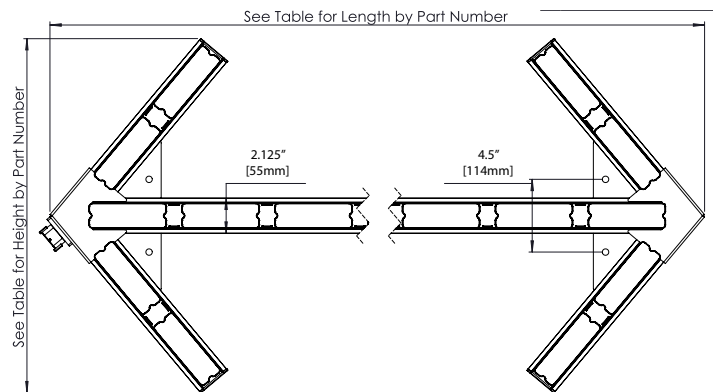


FLEET

TITAN

S E R I E S

Dimensions



* All part numbers listed are amber color. Contact factory for custom requests.

Part #	Vdc	Amps	# of Modules in Shaft	# of Modules per Arm	Flash Patterns	Length	Height	Channel
57724-1	12	1.8A	4	1	7	27"	12.5"	8
57730-1	12	1.8A	5	1	7	32.75"	12.5"	9
57730-2	12	2.4A	5	2	7	32.75"	22"	9
✓ 57736-1	12	2.1A	6	1	7	38.5"	12.5"	8
✓ 57736-2	12	2.7A	6	2	7	38.5"	22"	8
57736-3	12	3.3A	6	3	7	38.5"	30.5"	8
✓ 57742-1	12	2.4A	7	1	7	44.25"	12.5"	9
✓ 57742-2	12	3.0A	7	2	7	44.25"	22"	9
57742-3	12	3.6A	7	3	7	44.25"	30.5"	9
✓ 57748-1	12	2.7A	8	1	7	50"	12.5"	8
✓ 57748-2	12	3.3A	8	2	7	50"	22"	8
57748-3	12	3.9A	8	3	7	50"	30.5"	8
57754-1	12	3.0A	9	1	7	55.75"	12.5"	9
57754-2	12	3.6A	9	2	7	55.75"	22"	9
57754-3	12	4.2A	9	3	7	55.75"	30.5"	9
57760-1	12	3.3A	10	1	7	61.5"	12.5"	8
57760-2	12	3.9A	10	2	7	61.5"	22"	8
✓ 57760-3	12	4.5A	10	3	7	61.5"	30.5"	8
57766-1	12	3.3A	11	1	7	67.25"	12.5"	9
57766-2	12	3.9A	11	2	7	67.25"	22"	9
57766-3	12	4.5A	11	3	7	67.25"	30.5"	9
57772-1	12	3.6A	12	1	7	73"	12.5"	8
57772-2	12	4.2A	12	2	7	73"	22"	8
57772-3	12	4.8A	12	3	7	73"	30.5"	8

✓ = Top Seller

57000 SERIES SPLIT TRAFFIC ARROWS

FLEET TITAN SERIES

57824-1



(cable sold separately)

Features

- The hermetically sealed light-head will not be affected by outside factors such as temperature, humidity & condensation
- NO DOWN TIME – heads are field replaceable in less than one minute!
- SWS pressure clip system ensure that no special tools are ever required
- A choice of control platforms – cab-mounted slim-line control box or NEW outdoor rated switch box
- All electrical connections are made using the industry known, and trusted DTM series connections from TE
- Adapter kit available for use on existing wire installations (77280, power cable only)
- **5 Year Warranty (Control box 1 Year Warranty)**

Control Box & Cable Options (sold separately)



77501



Main Power Cable
To be used with 77501
20' - 77260
30' - 77261
40' - 77262
50' - 77263



77504 Outdoor Rated
Switch Box



**Main Power Cable
& Extension Cable**
To be used with 77504
& between halves
10' - 77270
20' - 77271
30' - 77272
40' - 77273



Adaptor Cable
77280

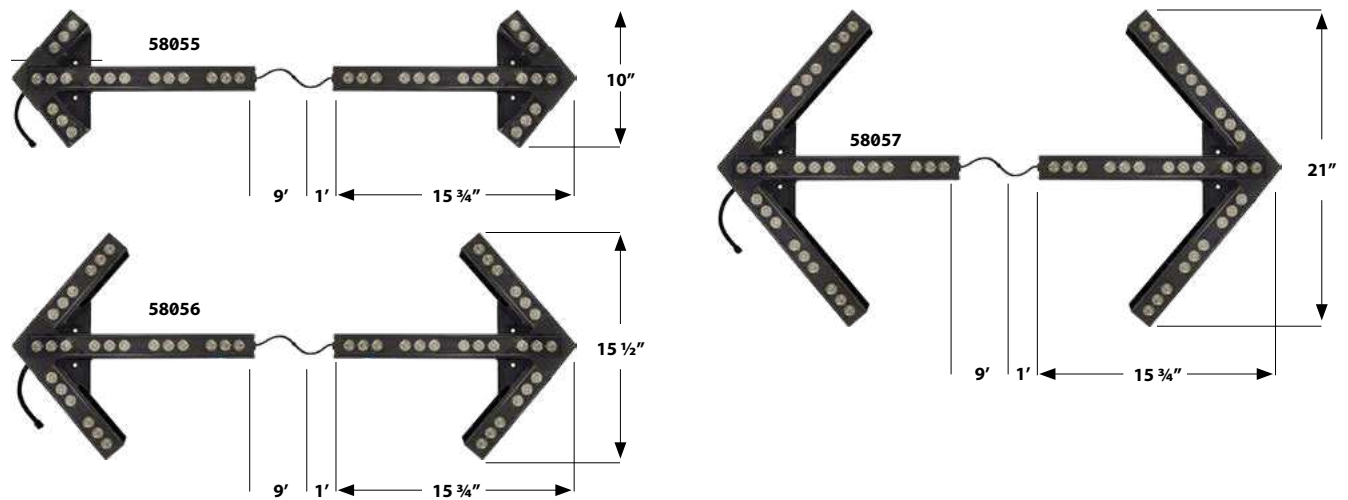
* All part numbers listed are amber color. Contact factory for custom requests.

Available Models									Controller Channel
Part #	Vdc	Amps	# Modules per half	Number of Modules	Flash Patterns	Length	Height		
57818-1	12	2.1A	3	1	7	20"	12.5"	8	
57818-2	12	2.7A	3	2	7	20"	22"	8	
57818-3	12	3.3A	3	3	7	20"	30.5"	8	
57824-1	12	2.7A	4	1	7	26"	12.5"	8	
57824-2	12	3.3A	4	2	7	26"	22"	8	
57824-3	12	3.9A	4	3	7	26"	30.5"	8	
57830-1	12	3.3A	5	1	7	31.75"	12.5"	8	
57830-2	12	3.9A	5	2	7	31.75"	22"	8	
57830-3	12	4.5A	5	3	7	31.75"	30.5"	8	
57836-1	12	3.6A	6	1	7	37.5"	12.5"	8	
57836-2	12	4.2A	6	2	7	37.5"	22"	8	
57836-3	12	4.8A	6	3	7	37.5"	30.5"	8	

✓ = Top Seller

ORION TRAFFIC ARROWS

58000 Split Series



Main Power Cable

(sold separately)
 20' - 77200
 30' - 77201
 40' - 77202
 50' - 77203
 60' - 77204



Extension Cable Between Sections

(sold separately)
 10' - 77206
 15' - 77210
 20' - 77207
 30' - 77208
 40' - 77209



Twist-lock Disconnect



Control Box 77501
(included)

Features

- SAE J595 (2014) Class 1
- Anodized, extruded aluminum housing
- Polycarbonate front lens
- Fully encapsulated electronics to protect against vibration and moisture
- Twist-lock disconnect cable sold separately
- Wiring harness extends approximately 12" from drivers side of arrow.
- 12Vdc (Please call factory for 24Vdc models)
- **5 Year Warranty (Control box 1 Year Warranty)**
- **Bracket mounting (98001, 98045 & 98084) sold separately**

Available Models							Controller Channel
Part #	Vdc	Amps	Lumens	Number of LED panels	Length	Height	
58050	12	3.5	1740	3 per shaft, 1 per arm, 10 total	12"	10"	8
58051	12	4.9	2436	3 per shaft, 2 per arm, 14 total	12"	15 1/2"	8
58055	12	4.2	2088	4 per shaft, 1 per arm, 12 total	15"	10"	8
58056	12	5.6	2784	4 per shaft, 2 per arm, 16 total	15"	15 1/2"	8
58057	12	7	3480	4 per shaft, 3 per arm, 20 total	15"	21"	8
58058	12	4.9	2436	5 per shaft, 1 per arm, 14 total	20"	10"	8
58059	12	6.3	3132	5 per shaft, 2 per arm, 18 total	20"	15 1/2"	8
58061	12	7.7	3828	5 per shaft, 3 per arm, 22 total	20"	21"	8
58011	12	4.9	2436	5 per shaft, 1 per arm, 14 total	24"	10"	8
58063	12	5.6	2784	6 per shaft, 2 per arm, 16 total	24"	15 1/2"	8
58035	12	8.4	4176	6 per shaft, 3 per arm, 24 total	24"	21"	8

✓ = Top Seller

ORION TRAFFIC ARROWS

58000 Series

Features

- SAE J595 (2014) Class 1
- Anodized, extruded aluminum housing
- Polycarbonate front lens
- Fully encapsulated electronics to protect against vibration and moisture
- Twist-lock disconnect cable sold separately
- Wiring harness extends approximately 12" from drivers side of arrow.
- 12Vdc (Please call factory for 24Vdc models)
- **5 Year Warranty (Control box 1 Year Warranty)**
- **Bracket mounting (98001(58000 only), 98084 (48" 58xxx only & 98045) sold separately**

Main Power Cable

(sold separately)
20' - 77200
30' - 77201
40' - 77202
50' - 77203
60' - 77204



Twist-lock Disconnect



Control Box 77501
(included)



ORION TRAFFIC ARROWS

58000 Series



Available Models							Controller Channel
Part #	Vdc	Amps	Lumens	Number of LED panels	Length	Height	
58006	12	3.5	1740	6 per shaft , 1 per arm, 10 total	24"	10"	8
58007	12	4.9	2436	6 per shaft , 2 per arm, 14 total	24"	15 1/2"	8
58080	12	6.3	3132	6 per shaft , 3 per arm, 18 total	24"	21"	8
58008	12	4.2	2088	8 per shaft , 1 per arm, 12 total	30"	10"	8
58009	12	5.6	2784	8 per shaft , 2 per arm, 16 total	30"	15 1/2"	8
58081	12	7	3480	8 per shaft , 3 per arm, 20 total	30"	22"	8
58014	12	4.2	2088	8 per shaft , 1 per arm, 12 total	36"	10"	8
58015	12	5.6	2784	8 per shaft , 2 per arm, 16 total	36"	15 1/2"	8
58082	12	7	3480	8 per shaft , 3 per arm, 20 total	36"	21"	8
58016	12	4.9	2436	10 per shaft , 1 per arm, 14 total	42"	10"	8
58017	12	6.3	3132	10 per shaft , 2 per arm, 18 total	42"	15 1/2"	8
58083	12	7.7	3828	10 per shaft , 3 per arm, 22 total	42"	21"	8
✓ 58000	12	5.6	2784	12 per shaft , 1 per arm, 16 total	48"	10"	8
✓ 58002	12	7	3480	12 per shaft , 2 per arm, 20 total	48"	15 1/2"	8
58084	12	8.4	4176	12 per shaft , 3 per arm, 24 total	48"	21"	8
58018	12	5.6	2784	12 per shaft , 1 per arm, 16 total	54"	10"	8
58019	12	7	3480	12 per shaft , 2 per arm, 20 total	54"	15 1/2"	8
58085	12	8.4	4176	12 per shaft , 3 per arm, 24 total	54"	21"	8
58001	12	5.6	2784	12 per shaft , 1 per arm, 16 total	60"	10"	8
58003	12	7	3408	12 per shaft , 2 per arm, 20 total	60"	15 1/2"	8
58086	12	8.4	4176	12 per shaft , 3 per arm, 24 total	60"	21"	8
58022	12	5.6	2784	12 per shaft , 1 per arm, 16 total	66"	10"	8
58023	12	7	3480	12 per shaft , 2 per arm, 20 total	66"	15 1/2"	8
58087	12	8.4	4176	12 per shaft , 3 per arm, 24 total	66"	21"	8
58024	12	6.3	3132	14 per shaft , 1 per arm, 18 total	72"	10"	8
58025	12	7.7	3828	14 per shaft , 2 per arm, 22 total	72"	15 1/2"	8
58088	12	9.1	4524	14 per shaft , 3 per arm, 26 total	72"	21"	8

✓ = Top Seller

NEW

**NEW UTILITY TC12
ARROW BOARD**

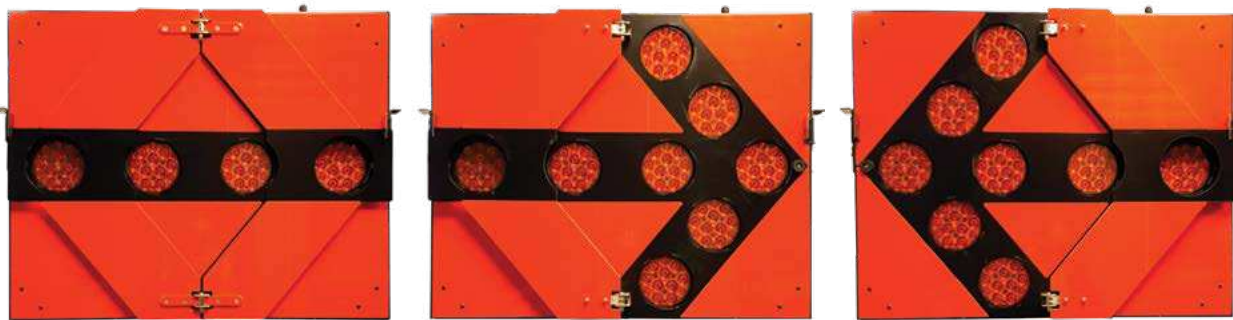
PRODUCT NUMBER 55010



NEW!

UTILITY TC12 ARROW BOARD

55010



Features

- Anodized aluminum sheet metal body w/ 3M retroreflective material
- Dual manual flap design with unique side flap retainer
- 12 x LED lightheads which meet SAE J595 Class 1 & California Title 13
- AutoDim™ photosensor for automatic night time dimming
- Corrosion proof design
- Dual optic lens for short and long range
- The hermetically sealed lightheads will not be affected by outside factors such as temperature, humidity & condensation
- Easy replacement lightheads
- Stainless Steel Hardware
- **1 Year Warranty**



79909
Replacement Lighthead
(sold seperately)

766150

on/off switch
(sold seperately)



Extension cables

(sold seperately)



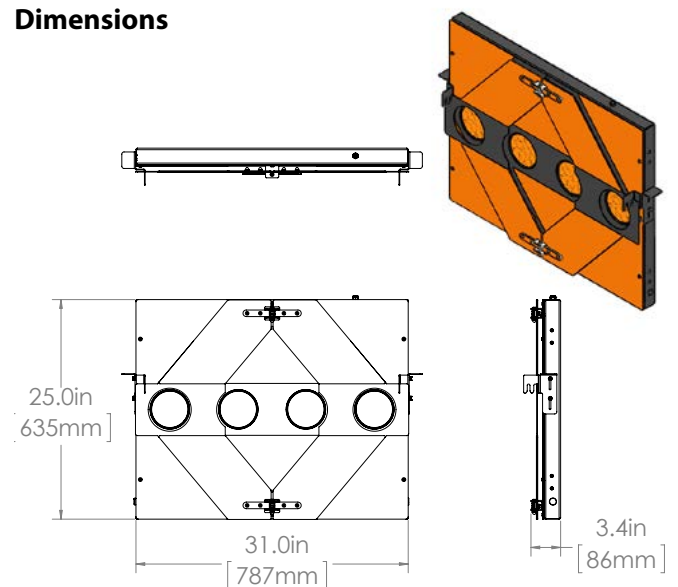
- 77250 20' Extension Cable
- 77251 30' Extension Cable
- 77252 40' Extension Cable
- 77253 50' Extension Cable

Bracket Kit

98000
(sold seperately)



Dimensions



Part #	Vdc	Mounting	Module Colour	Amps	Lumens	Weight
55010	12.8	Permanent	Amber	4.2A	4320 max	28lbs

✓ = Top Seller

TRAFFIC ARROWS

54000 Series

- **5 Year Warranty** 
- **AutoDim™** 
- **1 Wire Communication**
(definitions refer to page 2)

Features

- SAE J595 (2014) Class 1 & CA13 compliant lighthouse
- MUTCD compliant
- The hermetically sealed light-head will not be affected by outside factors such as temperature, humidity & condensation
- UV stabilized, impact resistant ABS plastic body
- 15 high intensity modular heads with dual optic technology
- Compliance with most highway standards
- Intelligent one wire communication for fast installation
- Standard traffic arrow patterns
- **5 Year Warranty (Control box 1 Year Warranty)**
- **Bracket mounting (98045) sold separately**



77501

Included with 54000



77504 Outdoor Rated Switch Box

Included with 54002

Main Power Cable

To be used with 77501 (sold separately)

- 20' - 77250
- 30' - 77251
- 40' - 77252
- 50' - 77253



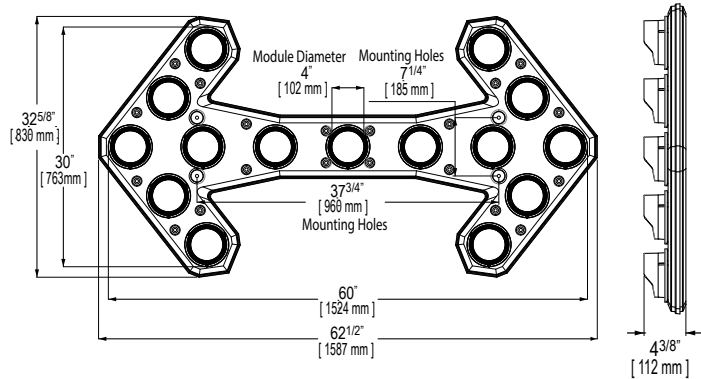
Main Power Cable

To be used with 77504 (sold separately)

- 10' - 77270
- 20' - 77271
- 30' - 77272
- 40' - 77273



Dimensions



54000



Available Models

Part #	Vdc	Mounting	Module Color	Amps	Lumens	# Patterns	Weight	Control Box / Switch
54000	12	PM	Amber	5.25	4680 max	7	25lbs	77501
54002	12	PM	Amber	5.25	4680 max	4	25lbs	77504
79871		Replacement Head						


✓ = Top Seller

TRAFFIC ARROWS

In cab control box

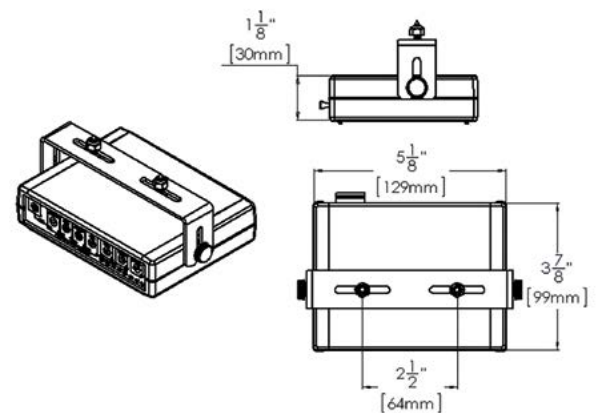
Features

- 12-24 Vdc operating range
- Double confirmation of button activation with a visual indicator LED and an internal audible buzzer
- BatteryCheck™ feature utilizes front mounted pattern matrix LEDs, to indicate the vehicles battery level
- Rugged compact design has a front tactile panel with indicator LEDs, an aluminum mounting bracket for above or below universal mounting options, and protected internal circuitry
- Included 10amp. auxiliary channel is independently controllable
- Has both a manual dimming option and cargo light control (for capable products)
- Quick disconnect wiring harness connection for fast installation
- **1 Year Warranty**

- **BatteryCheck™** 
- **Manual Dim**
- **10 Amp Auxiliary**
(definitions refer to page 2)



Dimensions



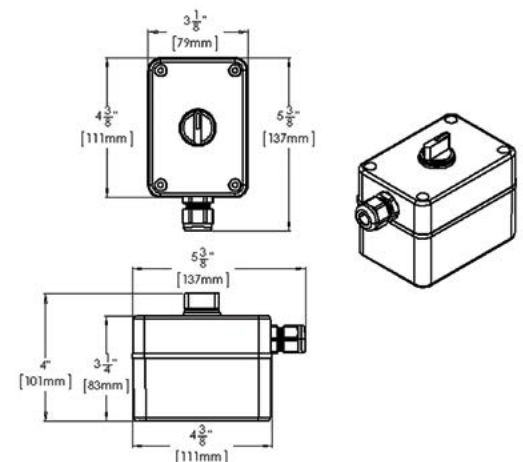
Outdoor rated switch box

Features

- For use with Titan FLEET traffic arrows and traffic directors only.
- 12Vdc operating voltage.
- IP66 rated control box and 5-position switch, for externally mounting the control system
- Industry standard 4 patterns; Left, Right, Bar/Warning, Center Out
- Supplied with a 12" min. power leads, and a connector harness for quick installation to the traffic directing device.
- Includes stainless steel mounting hardware
- **1 Year Warranty**



Dimensions



57000 SERIES TRAFFIC DIRECTORS

FLEET**PLUS**

TITAN

S E R I E S

57436



Features

- The hermetically sealed light-head will not be affected by outside factors such as temperature, humidity & condensation
- NO DOWNTIME – heads are field replaceable in less than one minute!
- SWS pressure clip system ensure that no special tools are ever required
- All electrical connections are made using the industry known and trusted DTM series connections from TE
- 3 T-slots for unlimited mounting options (1/4" - 20 hardware included)
- Stop turn kits available (96050)
- For factory installed Stop/Turn indicators, please add a -ST to your FLEETPLUS traffic director part number 35.25" and longer
- **5 Year Warranty (Control box 1 Year Warranty)**

- **5 Year Warranty** 
- **AutoDim™** 
- **1 Wire Communication**
- **Cargo Lighting**
(definitions refer to page 2)

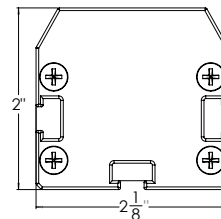


77501
(included)

- Main Power Cable**
(sold separately)
- 20' - 77265
 - 30' - 77266
 - 40' - 77267
 - 50' - 77268



Dimensions



* All part numbers listed are amber color. Contact factory for custom requests.

Available Models							Controller Channel
Part #	Vdc	Amps	Number of Modules	Flash Patterns	Length		
57424	12	1.2A	4	5	23.625"		0
57430	12	1.5A	5	5	29.375"		1
57436	12	1.8A	6	5	35.125"		0
57442	12	2.1A	7	5	40.875"		1
57448	12	2.4A	8	5	46.625"		0
57449	12	2.4A	8	5	46.625"		0
57454	12	2.7A	9	5	52.375"		1
57460	12	3A	10	5	58.125"		0
57466	12	3.3A	11	5	63.875"		1
57472	12	3.6A	12	5	69.625"		0

✓ = Top Seller

57000 SERIES TRAFFIC DIRECTORS



FLEET

TITAN

S E R I E S

57336



Features

- The hermetically sealed light-head will not be affected by outside factors such as temperature, humidity & condensation
- NO DOWN TIME – heads are field replaceable in less than one minute!
- SWS pressure clip system ensure that no special tools are ever required
- A choice of control platforms – cab-mounted slim-line control box or NEW outdoor rated switch box
- All electrical connections are made using the industry known, and trusted DTM series connections from TE
- Orion to Titan adapter kit available for use on existing wire installations (77280)
- 3 T-slots for unlimited mounting options (1/4" - 20 hardware included)
- Stop turn kits available (96050)
- **5 Year Warranty (Control box 1 Year Warranty)**

Control Box & Cable Options *(sold separately)*



77501

Main Power Cable

To be used with 77501
 20' - 77260
 30' - 77261
 40' - 77262
 50' - 77263



77504 Outdoor Rated Switch Box

Main Power Cable

To be used with 77504
 10' - 77270
 20' - 77271
 30' - 77272
 40' - 77273

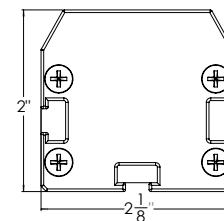


Adaptor Cable

77280



Dimensions



* All part numbers listed are amber color. Contact factory for custom requests.

Available Models							Controller Channel
Part #	Vdc	Amps	Number of Modules	Flash Patterns	Length		
57324	12	1.2A	4	5	23.625"		0
57330	12	1.5A	5	5	29.375"		1
57336	12	1.8A	6	5	35.125"		0
57342	12	2.1A	7	5	40.875"		1
✓ 57348	12	2.4A	8	5	46.625"		0
57354	12	2.7A	9	5	52.375"		1
57360	12	3A	10	5	58.125"		0
57366	12	3.3A	11	5	63.875"		1
57372	12	3.6A	12	5	69.625"		0

✓ = Top Seller

57000 SERIES TRAFFIC DIRECTORS

FLEET

TITAN

S E R I E S

57524



(cable sold separately)



57518

(cable sold separately)

Features

- The hermetically sealed light-head will not be affected by outside factors such as temperature, humidity & condensation
- NO DOWN TIME – heads are field replaceable in less than one minute!
- SWS pressure clip system ensure that no special tools are ever required
- A choice of control platforms – cab-mounted slim-line control box or NEW outdoor rated switch box
- All electrical connections are made using the industry known, and trusted DTM series connections from TE
- 3 T-slots for unlimited mounting options (1/4" - 20 hardware included)
- Adapter kit available for use on existing wire installations (77280, power cable only)
- **5 Year Warranty (Control box 1 Year Warranty)**

Control Box & Cable Options

(sold separately)



77501



77504 Outdoor Rated Switch Box

Main Power Cable

To be used with 77501

20' - 77260

30' - 77261

40' - 77262

50' - 77263



Main Power Cable & Extension Cable

To be used with 77504

& between halves

10' - 77270

20' - 77271

30' - 77272

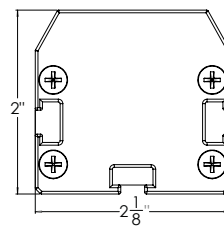
40' - 77273



Adaptor Cable

77280

Dimensions



* All part numbers listed are amber color. Contact factory for custom requests.

Available Models							Controller Channel
Part #	Vdc	Amps	# Modules per half	Flash Patterns	Length		
57518	12	1.8	3	5	18.5"		0
57524	12	2.4A	4	5	23.625"		0
57530	12	3.0A	5	5	29.375"		0
57536	12	3.6A	6	5	35.125"		0
57542	12	4.2A	7	5	40.875"		0
57548	12	4.8A	8	5	46.625"		0

✓ = Top Seller

TRAFFIC DIRECTOR PACKAGES



FLEET

TITAN SERIES



57136

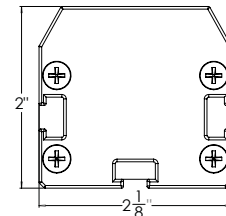


57148

Features

- 40' of connection cable and in-cab control box included
- The hermetically sealed light-head will not be affected by outside factors such as temperature, humidity & condensation
- NO DOWN TIME – heads are field replaceable in less than one minute!
- SWS pressure clip system ensure that no special tools are ever required
- All electrical connections are made using the industry known, and trusted DTM series connections from TE
- 3 T-slots for unlimited mounting options (1/4" - 20 hardware included)
- 5 Year Warranty (Control box 1 Year Warranty)

Dimensions



Available Models							Controller Channel
Part #	Vdc	Amps	Number of Modules	Flash Patterns	Length		
57136	12	1.8A	6	5	35.125"		0
✓ 57148	12	2.4A	8	5	46.625"		0

✓ = Top Seller

ORION TRAFFIC DIRECTORS

59000 SERIES

Features

- SAE J595 (2014) Class 1
- Anodized, extruded aluminum body
- Polycarbonate front lens
- Fully encapsulated electronics to protect against vibration and moisture
- Twist-lock disconnect cable sold separately
- **5 Year Warranty (Control box 1 Year Warranty)**
- **Bracket mounting (98000 & 98003) sold separately**

Main Power Cable

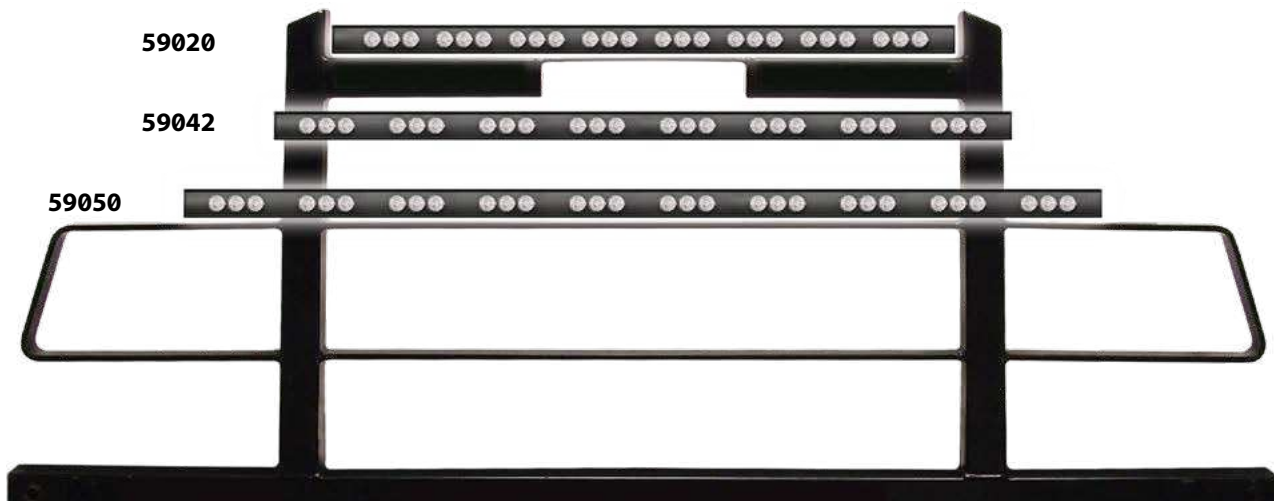
(sold separately)
 20' - 77200
 30' - 77201
 40' - 77202
 50' - 77203
 60' - 77204



Twist-lock Disconnect



Control Box 77501
(included)



Available Models					
Part #	Vdc	Amps	Lumens	Number of LED panels	Length
59010	12	1.4	696	4	24"
59020	12	2.8	1392	8	30"
59000	12	2.8	1392	8	36"
59042	12	2.8	1392	8	42"
✓ 59050	12	3.5	1740	10	48"
59080	12	3.5	1740	10	54"
59100	12	4.2	2088	12	60"
59140	12	4.9	2436	14	72"

✓ = Top Seller

ORION SPLIT TRAFFIC DIRECTORS

59000 SERIES

SWS

59051



Features

- SAE J595 Class 1
- Anodized, extruded aluminum body
- Polycarbonate front lens
- Fully encapsulated electronics
- 10' separation cable with quick disconnect for easy installation
- Twist-lock disconnect cable sold separately
- Extension cable sold separately
- **5 Year Warranty (Control box 1 Year Warranty)**
- **Bracket mounting (98000 & 98003)**

Main Power Cable

(sold separately)
 20' - 77200
 30' - 77201
 40' - 77202
 50' - 77203
 60' - 77204



Extension Cable Between Sections

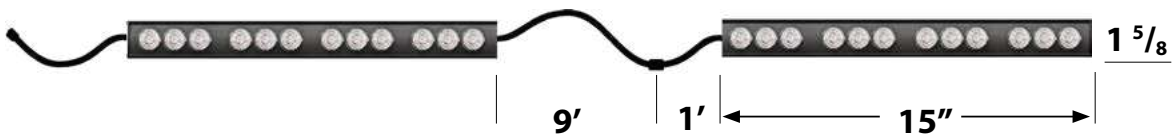
(sold separately)
 10' - 77206
 15' - 77210
 20' - 77207
 30' - 77208
 40' - 77209



Control Box 77501 (included)



Twist-lock Disconnect



Available Models					
Part #	Vdc	Amps	Lumens per half	Number of LED panels per half	Length per half
59051	12	2.7	680	4	15"
59056	12	3.5	852	5	24"

✓ = Top Seller

57900 SERIES WARNING STICKS

FLEET

TITAN

S E R I E S

57948



Features

- 20 warning flash patterns (not traffic directing)
- The hermetically sealed light-head will not be affected by outside factors such as temperature, humidity & condensation
- Uses SWS pressure clip system to ensure that there are no special tool requirements
- All electrical connections are made using the industry known and trusted DT and DTM Series connectors
- 3 x T-Slots for unlimited mounting options (1/4"-20 hardware included)
- **5 Year Warranty**

Available Colors



Extension Cables (sold separately)

- 20' - 77250
- 30' - 77251
- 40' - 77252
- 50' - 77253

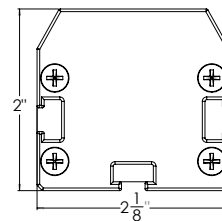


Switch Kit (sold separately)

766163



Dimensions



Available Models					
Part #	Vdc	Amps	Number of Modules	Flash Patterns	Length
57924	12	1.2A	4	20	23.625"
57936	12	1.8A	6	20	35.125"
57948	12	2.4A	8	20	46.625"
57960	12	3.0A	10	20	58.125"
57972	12	3.60A	12	20	69.625"

✓ = Top Seller

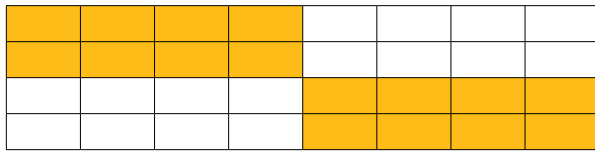
FLASH PATTERNS



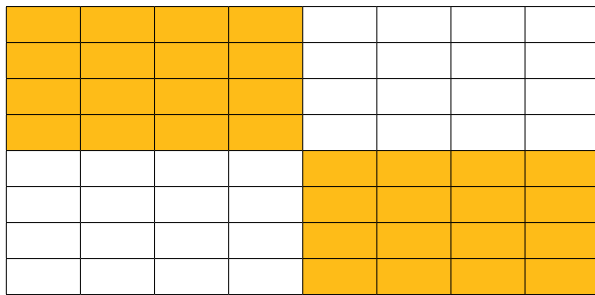
- Single Flash
- Single Flash Faster
- Double Flash
- Double Flash Faster
- Triple Flash
- Triple Flash Faster
- Quad Flash
- Quad Flash Faster
- Quint Flash
- Flicker Flash 9x Really Fast



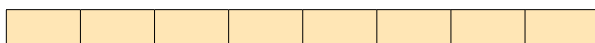
Single Alternating



Double Alternating



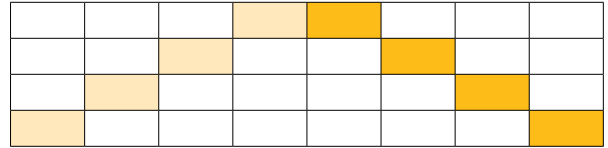
Quad Alternating



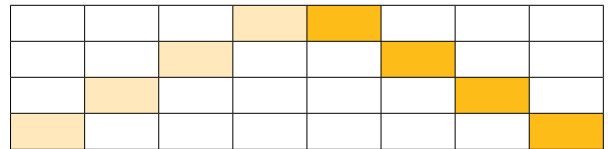
Steady Burn @ 33%



Flicker Alternating



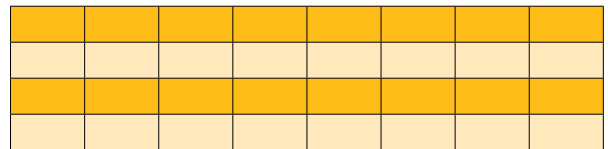
Pendulum



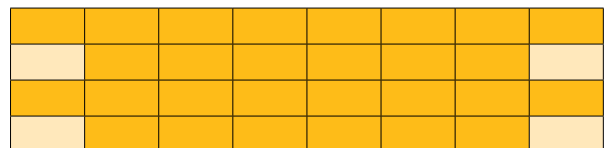
Pendulum Faster



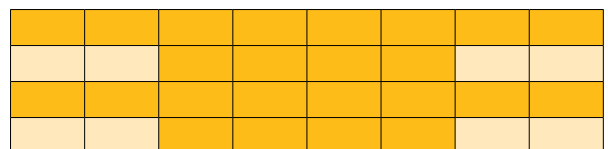
Flicker Every Other



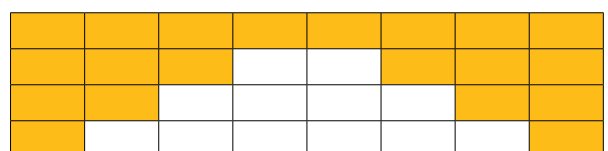
Lighthouse



Steady with single end flickers (works with 8 plus modules)



Steady with double end flickers (works with 8 plus modules)



Collapse

BACK UP ALARMS

Audio

Features

- 12-48Vdc
- User selectable single, dual or steady tone (except 99901)
- Selectable tone intensity (except 99901)
- Stainless steel diffuser screen
- Fully encapsulated electronics
- Water resistant speaker cone
- **2 Year Warranty**

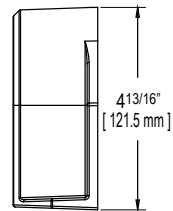
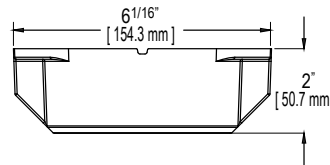
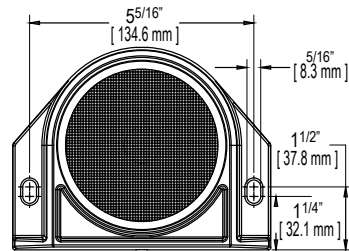


76100
Backup Alarm Switch
(sold separately)

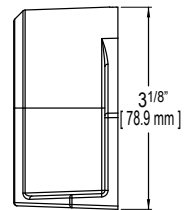
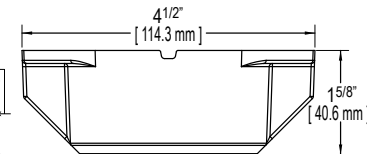
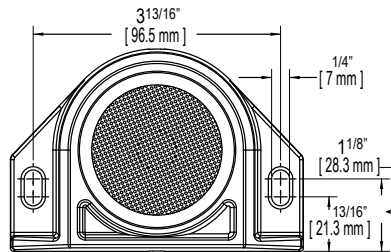
Dimensions



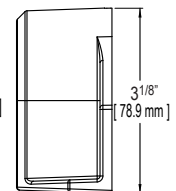
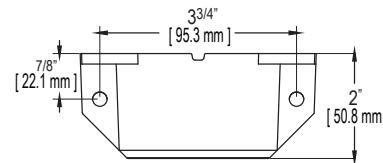
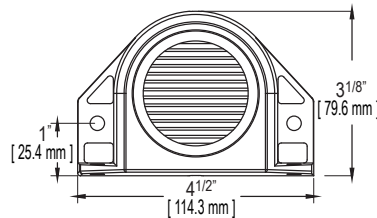
61 Series



60 Series



62 & 99901 Series



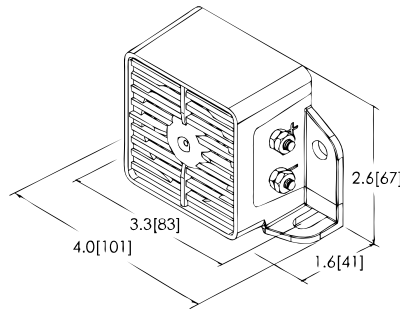
Available Models

Part #	Housing Material	Single Tone dB Levels	Dual Tone dB Levels	Steady Tone dB Levels	Dimension
✓ 60	Die-cast Zinc	87, 97, 102, 107, 112	97, 102	107	3 1/16"H x 4 9/16"W x 2"D
61	Die-cast Zinc	107, 112	107, 112	107, 112	4 7/8"H x 6 1/8"W x 2 5/8"D
62	ABS	87, 97, 102, 107, 112	97, 102	107	3 1/16"H x 4 9/16"W x 2"D
99901	ABS	97	-	-	3 1/16"H x 4 9/16"W x 3"D

✓ = Top Seller

BACK UP ALARMS

Audio



992xx Series

- Field proven dependability
- Multi frequency & single sound types
- Various dB levels to fit broad range of applications
- **2 Year Warranty**

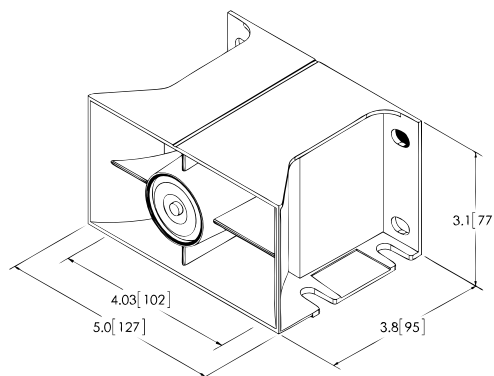


76100
Backup Alarm Switch
(sold separately)

Available Models

Part #	Vdc	Amps	Mounting	dB Rating	Sound Type	Connectivity	SAE Class	Dimensions
✓ 99202	12-24	0.2	UM	97	Single	Studs	C	2.64"H x 4.02"W x 1.6"D
99212	12-24	0.3	UM	82	Multi Frequency	Wire Leads	F	2.64"H x 4.02"W x 1.6"D

✓ = Top Seller



76100
Backup Alarm Switch
(sold separately)

993xx Series

- Versatile & compact universal mounting
- **2 Year Warranty**

Available Models

Part #	Vdc	Amps	Mounting	dB Rating	Sound Type	Connectivity	SAE Type	Dimensions
99300	12-24	0.9	UM	107	Fixed	Studs	B, CE, R10, IP66	3.1"H x 5"W x 3.8"D
99303	12-24	1.4	UM	112	Fixed	Studs	A,CE, R10, IP66	3.1"H x 5"W x 3.8"D
99306	12-24	1.3	UM	87-112	Self Adjust	Studs	CE, R10, IP66	3.1"H x 5"W x 3.8"D
99309	12-24	0.9	UM	82-112	Self Adjust/Dual	Studs	CE, R10, IP66	3.1"H x 5"W x 3.8"D

✓ = Top Seller

ILLUMINATION

GOLIGHT



Features

- 10 high flux LED's or 65W H9 Halogen bulb
- 370° horizontal rotation & 135° vertical tilt
- Narrow 8° beam can be seen at well over 3,000+ feet (1km+)
- Rugged UV resistant plastic shell
- Wireless or hard wired (dash mount) remote control options
- Available in black or white housing

Part #	Housing Color	Vdc	Amps	Mounting	Technology	Feature	Light Output
Radio Ray Series							
✓ 2000	White	12	5.5	PM	Halogen	Wireless Remote	225Kcd
2051	Black	12	5.5	PM	Halogen	Wireless Remote	225Kcd
2020	White	12	5.5	PM	Halogen	Dash Mount Remote	225Kcd
2021	Black	12	5.5	PM	Halogen	Dash Mount Remote	225Kcd
20004-GO	White	12	2.8	PM	LED	Wireless Remote	320Kcd
20514	Black	12	2.8	PM	LED	Wireless Remote	320Kcd
20074-GO	White	12	2.8	PM	LED	Wireless Dash Mount & Wireless Remote	320Kcd
20574	Black	12	2.8	PM	LED	Wireless Dash Mount & Wireless Remote	320Kcd
Stryker Series							
✓ 3000	White	12	5.5	PM	Halogen	Wireless Remote	200Kcd
3051	Black	12	5.5	PM	Halogen	Wireless Remote	200Kcd
✓ 3067	White	12	5.5	PM	Halogen	Dash Mount & Wireless Remote	200Kcd
3049	Black	12	5.5	PM	Halogen	Dash Mount & Wireless Remote	200Kcd

✓ = Top Seller | PM = Permanent Mount

ILLUMINATION

Tractor/Spreader/Utility

Features

- Pedestal mount
- Latest generation LEDs - no bulbs to replace
- High efficiency electronics
- Dim and full brightness modes
- Dual-optic design (3 spot optics and 9 flood optics)
- Environment proof rubber housing and polycarbonate lens
- Red version may be used as a stop/tail/turn light
- PAR 36 bulb styling
- Stedi-on
- **1 Year Warranty**

Available Colors

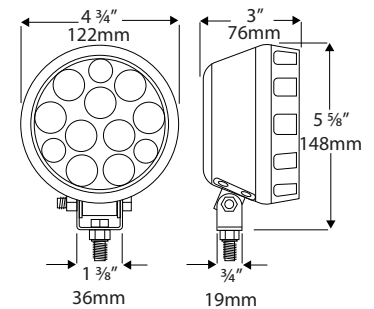


93602



Switch 766152
(sold separately)

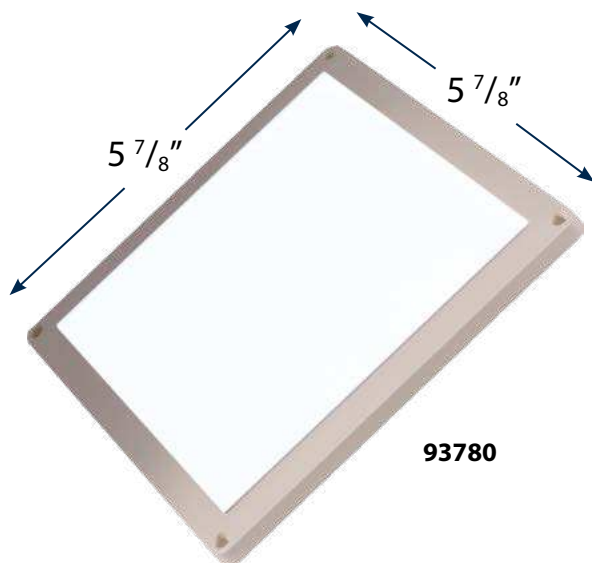
Dimensions



Available Models					
Part #	Color	Vdc	Amps	Lumens (Full/Dim)	Lifetime
✓ 93600	Amber	12	0.45	360 / 96	50,000 hours
93601	Blue	12	0.45	360 / 96	50,000 hours
93602	Clear	12	0.45	360 / 96	50,000 hours
93605	Red	12	0.45	360 / 96	50,000 hours

✓ = Top Seller

LED White Panel

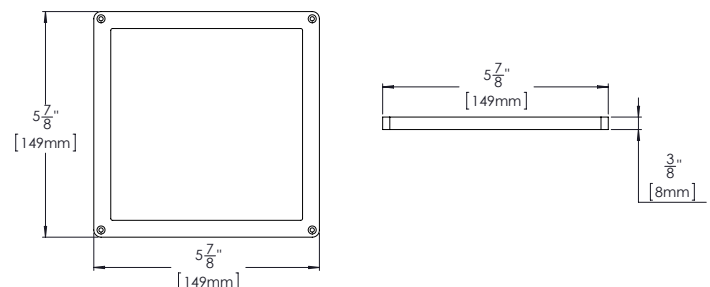


93780

Features

- LED flat panel light, ideal for mobile interior lighting applications
- Also useful in recreational applications, mobile homes, tent trailers etc.
- High lumen with low current draw for extended use
- Constructed with extremely durable materials for long use
- Indoor use only / not waterproof
- Easy to mount, install and wire into vehicles
- Temperature range: -20°C to 80°C
- **1 Year Warranty**

Dimensions



Part #	Vdc	Lumens	Power Consumption	Mounting	Dimension
✓ 93780	12	550	7W	Surface	6" x 6" x .25"

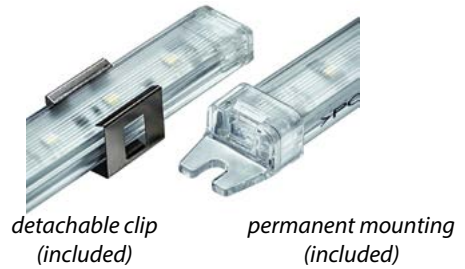
✓ = Top Seller

ILLUMINATION

Linear White Light



93792



Features

- Low profile design, minimizes obstruction allowing for multiple applications
- The polycarbonate outer case has an IP66 rating, preventing moisture and dust ingress
- The light comes with 2 surface mounting options; detachable clips, and permanent
- The articulating aluminum bracket (sold separately), allows for quick adjustment and positioning of the light
- Quick and easy to install.
- **10 Year Warranty**

Part #	Vdc	Amps	Lumens	Watts	Length	Height
93791	10-14	0.24	320	3	12"	0.43"
93792	10-14	0.44	640	6	20.5"	0.43"
93793	10-14	1.0	1280	12	40.5"	0.43"
98091	Mounting kit for 93791, articulating aluminum bracket with wing nut for angle adjustment					
98092	Mounting kit for 93792, articulating aluminum bracket with wing nut for angle adjustment					
98093	Mounting kit for 93793, articulating aluminum bracket with wing nut for angle adjustment					

✓ = Top Seller

ILLUMINATION

Exterior Scene Light

SWS

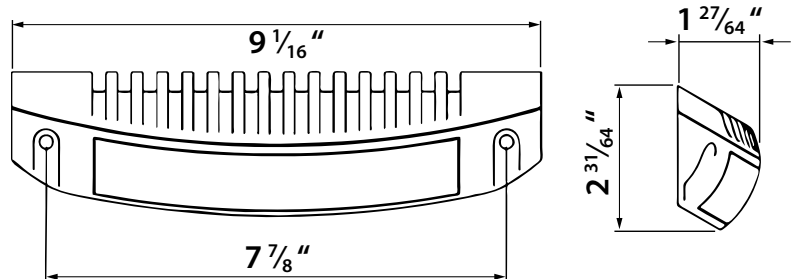
93810



Features

- Unique curved PCB, by pre-bending the aluminum PCB, the LEDs provide improved light distribution for a safer working environment
- The tough outer enclosure has an IP67 rating, protecting it against severe weather conditions and pressure washing
- The solid aluminum casting ensures the LEDs run as cool as possible for longer life
- **10 Year Warranty**

Dimensions



Part #	Vdc	Lumens	Current Draw	Temperature Rating	IP Rating
93810	10-32	1560	1.25 Amps	-30°C - +40°C	IP67

✓ = Top Seller

SNOW PLOW LIGHTING

The SWS Snow Plow Package uses the latest LED technology and onboard photosensors which automatically determine ambient light and auto-dims the brightness when needed.

The fully encapsulated, corrosion resistant electronics are fully synchronizable with an overall low current draw of 5.5 amps.

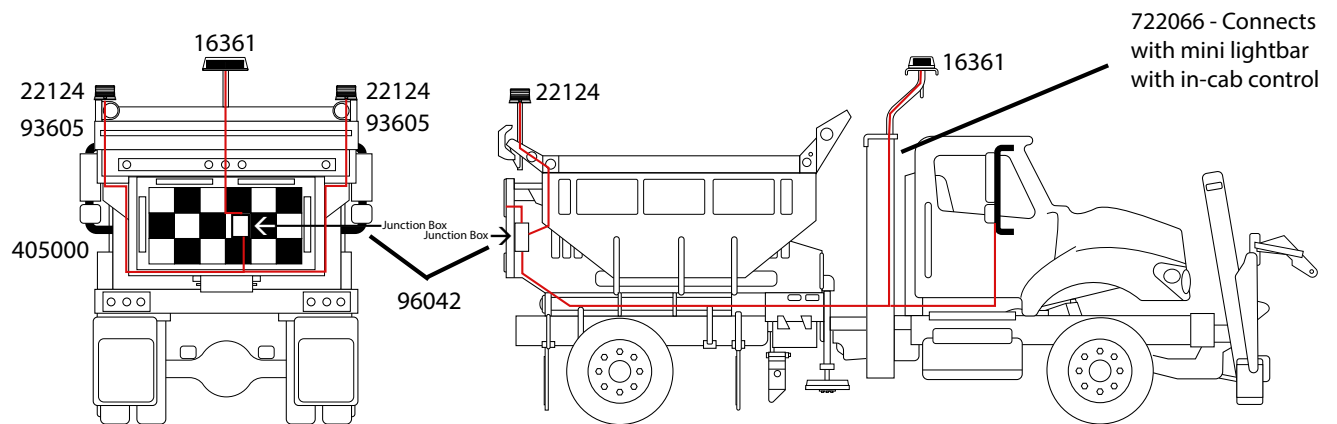
The quick connect system provides easy installation and the numerous color combinations can meet different province and state regulations.



Features

- Meets or exceeds TAC Standards for Beacons, Mini lightbars, and Warning Sticks
- Meets MTO Standards ES-2410001, ES-2420001, & ES-2200012
- Rugged, Durable aluminum and polycarbonate construction
- Quick connection system for easy installation and winter/summer modification
- Automatic ambient light photosensor for night time Dim mode
- Latest generation LEDs - no bulbs to replace or moving parts to fail
- Other color combinations available

Common Color Combinations



Package may differ than picture

SNOW PLOW LIGHTING

Snow Plow Accessories

Interconnect Features

- Waterproof (NEMA 4) enclosure with waterproof Deutsch connectors
- Quick connection system for easy installation and winter/summer modification
- 10'-50' lengths (at 10' intervals) of rugged 16AWG extension cables available to accommodate front or rear mounting on most fleet vehicles
- Junction box has extra wiring positions available for additional products or modified wiring (if required)
- System works with all warning lights in package 75032

96042
Main junction box



Extension cables

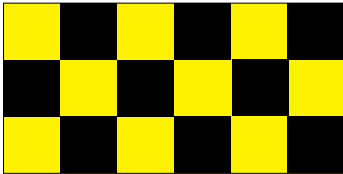


Checkerboard Features

- Meets TAC Standards for retro-reflective panel requirements
- Meets MTO Standards ES-3290007 and all subsequent application standards
- Durable aluminum core with highly reflective 3M Type XI retro-reflective material
- Board measures 3' x 6' standard size as per TAC and MTO standards

405000

Standard Checkerboard



405001

Equipment May Move



405002

Liquid Anti - Icing



Package 75032 contents and options					
	Part #	Description	Typical Installation Quantity	Included in Package?	Notes
Lighting Devices	16361	Fleet Plus 16" Low Profile Mini lightbar Amber/Blue	1	Yes	
	22124	Fleet Plus Low Profile Beacon Amber/Blue	2	Yes	
	56046	24" Warning Stick Amber/Blue	4	Yes	
	93605	4" Red Stop/Tail/Turn Lights	2	No	Required per TAC Standard. Optional Purchase. Priced Separately.
System Interconnect	96042	Main Junction Box	1	Yes	
	722068	10' Extension Cable: Device to Junction Box	See Note	No	Customer to select cable lengths and quantity of each based on installation. Priced Separately.
	722069	20' Extension Cable: Device to Junction Box	See Note	No	
	722070	30' Extension Cable: Device to Junction Box	See Note	No	
	722071	40' Extension Cable: Device to Junction Box	See Note	No	
722072	50' Extension Cable: Device to Junction Box	See Note	No		
Conspicuity Panel	405000	3'x6' Full Checkerboard	See Note	No	Customer to Select Board to suit application. Priced Separately.
	405001	3'x6' Half Checkerboard; "Equipment May Move"	See Note	No	
	405002	3'x6' Half Checkerboard; "Liquid Anti-Icing"	See Note	No	

SNOW PLOW LIGHTING

Snow Plow Accessories



Package 75033 contents and options					
	Part #	Description	Typical Installation Quantity	Included in Package?	Notes
Lighting Devices	16362	Fleet Plus 16" Low Profile Mini lightbar Clear/Amber	1	Yes	
	93610	Tractor/Spreader/Utility Amber Flasher	2	Yes	
	56045	24" Warning Stick Amber/Amber	4	Yes	
	93605	4" Red Stop/Tail/Turn Lights	2	No	Required per TAC Standard. Optional Purchase. Priced Separately.
System Interconnect	96043	Main Junction Box	1	Yes	
	722068	10' Extension Cable: Device to Junction Box	See Note	No	Customer to select cable lengths and quantity of each based on installation. Priced Separately.
	722069	20' Extension Cable: Device to Junction Box	See Note	No	
	722070	30' Extension Cable: Device to Junction Box	See Note	No	
	722071	40' Extension Cable: Device to Junction Box	See Note	No	
	722072	50' Extension Cable: Device to Junction Box	See Note	No	
722075	50' cable assembly for 16362	1	Yes		
Conspicuity Panel	405000	3'x6' Full Checkerboard	See Note	No	Customer to Select Board to suit application. Priced Separately.
	405001	3'x6' Half Checkerboard; "Equipment May Move"	See Note	No	
	405002	3'x6' Half Checkerboard; "Liquid Anti-Icing"	See Note	No	

Package 75035 contents and options					
	Part #	Description	Typical Installation Quantity	Included in Package?	Notes
Lighting Devices	16363	Apollo Series AMB/BLU minibar with summer and control cables	1	Yes	
	16364	Apollo Series AMB/BLU rear mount minibar	1	Yes	
	56045	Titan 24" ABM/AMB Warning Stick	4	Yes	
	93610	4" Floodlight Flasher	2	Yes	
	96043	Main Junction Box	1	Yes	
System Interconnect	722087	10ft extension cable for 16364 to Junction Box	1	Yes	Customer to select cable lengths and quantity of each based on installation. Priced Separately.
	722068	10' Extension Cable: Device to Junction Box	See Note	No	
	722069	20' Extension Cable: Device to Junction Box	See Note	No	
	722070	30' Extension Cable: Device to Junction Box	See Note	No	
	722071	40' Extension Cable: Device to Junction Box	See Note	No	
	722072	50' Extension Cable: Device to Junction Box	See Note	No	
Conspicuity Panel	722075	50' cable assembly for 16362	1	No	
	405000	3'x6' Full Checkerboard	See Note	No	Customer to Select Board to suit application. Priced Separately.
	405001	3'x6' Half Checkerboard; "Equipment May Move"	See Note	No	
	405002	3'x6' Half Checkerboard; "Liquid Anti-Icing"	See Note	No	
	722002	Y Harness DT series	2	Yes	

MOUNTING SOLUTIONS

Temporary Mounting

Beacon Conversion Kits



Mini Lightbars Conversion Kits



Replacement Magnets



Part #	Applicable Models
Beacon Conversion Kits	
96007	Conversion Kit 1/2" NPT to magnetic mount
96012	Conversion Kit 23715 to magnetic mount
96021	Conversion Kit 1/2" NPT to suction cup
Mini lightbar Conversion Kits	
96000	Rotator Mini lightbar PM to magnetic mount conversion kit
96011	Conversion Kit 16211 to magnetic mount
96022	Conversion Kit Mini lightbar to suction cup mount
96023	Conversion Kit Mini lightbar to vacuum magnetic mount
96024	Conversion Kit Mini lightbar to magnetic mount
Replacement Magnets	
177	1/2" NPT Magnet
177-25	1/4"-20 Magnet
200105	Vacuum magnet

MOUNTING SOLUTIONS

Mounting Platform

ZERO DRILL

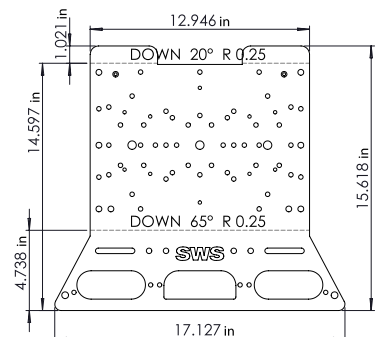
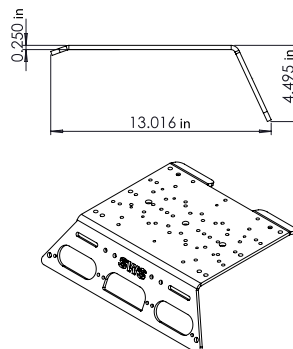


Features

- For Ford F-150 2016-2019 aluminum body trucks with halogen brake light only.
- Prevents the need to drill holes into the vehicle or racking.
- Rugged powder coated steel construction.
- Easy 2 bolt installation.
- Steel construction means it will work with all magnetic mountable devices (not vacuum magnetic mount).
- Pre-drilled, prelabelled holes for most SWS product mounting options.
- Can mount up to 48" traffic director to the bracket (needs kit 98003).

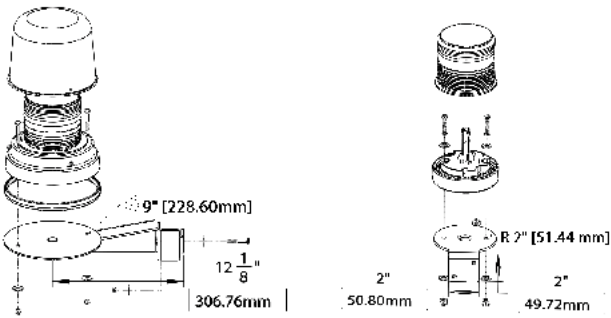


Dimensions



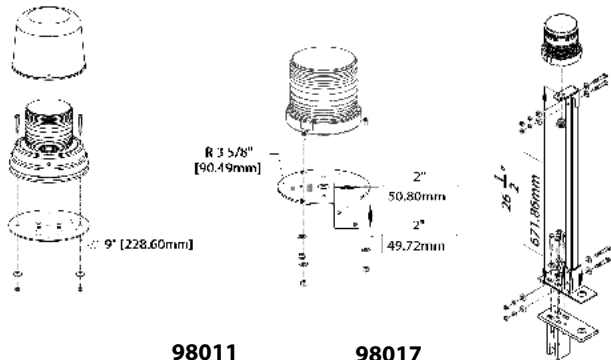
MOUNTING SOLUTIONS

Beacons



98004
98005

98008

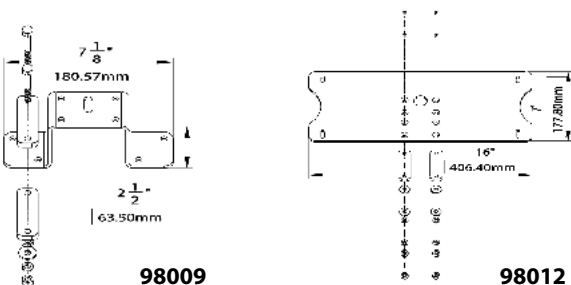


98011

98017
98018

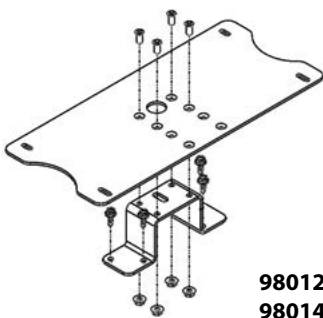
98080

Accessories

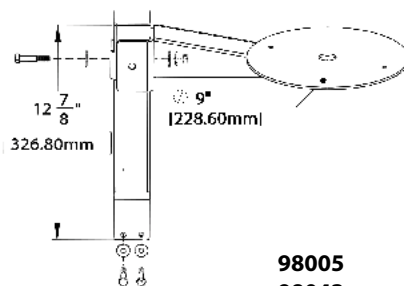


98009
98014

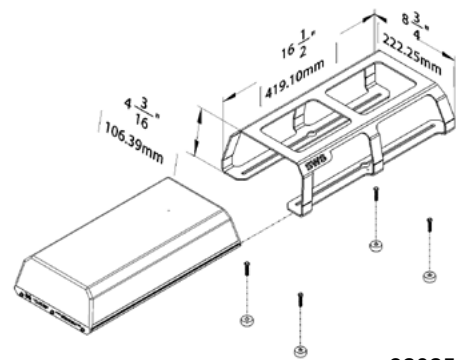
98012
98015



98012
98014

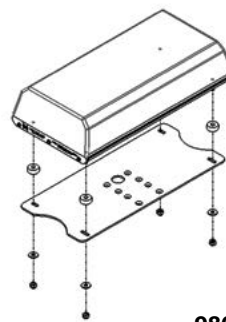


98005
98043

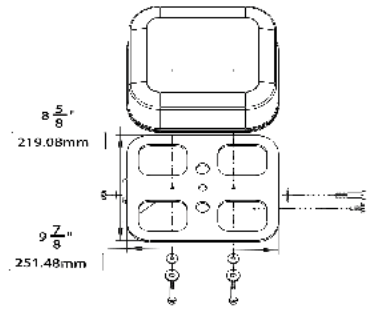


98085

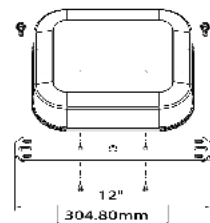
Mini lightbars



98012



98086



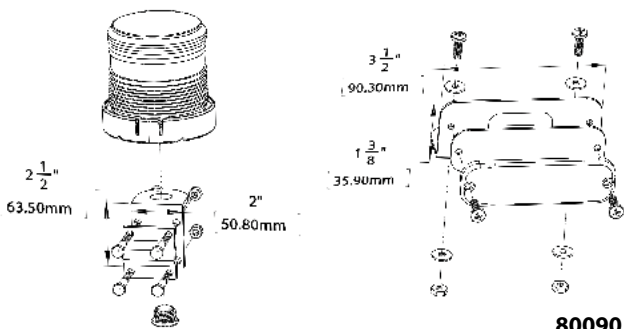
98087

Part # Description

- 98004 High profile beacon mounting bracket (Passenger side)
- 98005 High profile beacon mounting bracket (Driver side)
- 98008 Low profile beacon mounting bracket
- 98009 Universal bracket clamp (Clamps brackets to 2" square rack)
- 98011 High profile beacon mounting bracket (Plate only, no arm)
- 98012 16" mini lightbar mounting bracket (Plate only)
- 98014 C-Bracket 2.5" riser kit (Raises 98011 & 98012)
- 98015 Plate clamp kit (Clamps 98011 & 98012 to 2" square rack)
- 98017 Medium profile beacon mounting bracket (Driver side)
- 98018 Medium profile beacon mounting bracket (Passenger side)
- 98043 2" square offset extension(1pc., 10" length)
- 98080 LP and MP beacon stake pocket mount assembly
- 98085 16" low profile mini lightbar branch guard
- 98086 166xx series mini lightbar side mounting bracket
- 98087 166xx series mini lightbar flat/blind mounting bracket

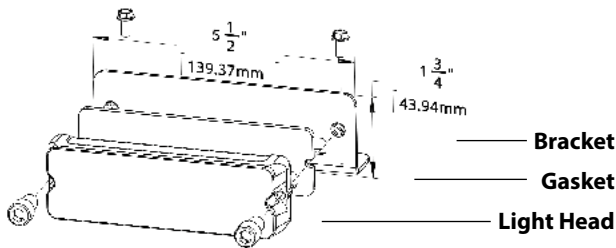
Clamp Kits & L-Brackets

Traffic Directors & Arrows

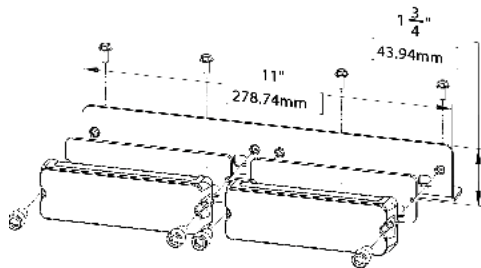


175

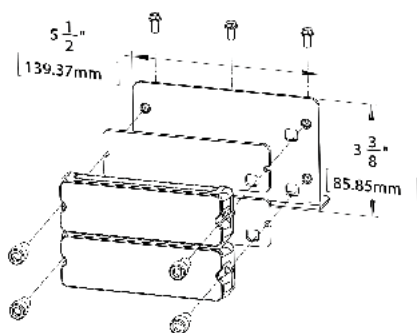
- 80090
- 80091
- 80291



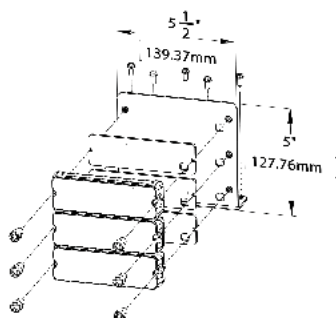
98076



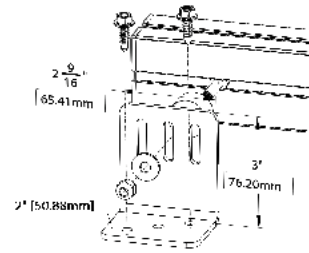
98077



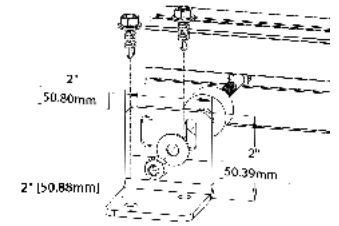
98078



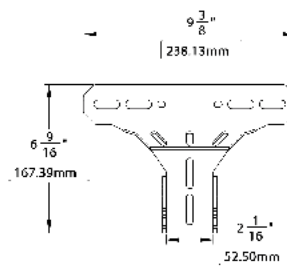
98079



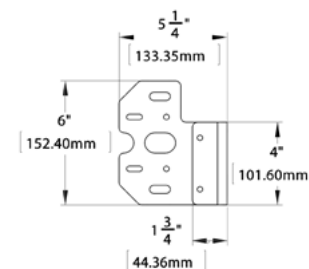
98000



98003



98045



98084

Part #	Description
175	Mirror mount bracket (Beacons)
80090	3 LED lighthouse L-bracket
80091	6 LED lighthouse L-bracket
80291	6 LED low profile lighthouse L-bracket
98076	Titan single L-bracket
98077	Titan double horizontal L-bracket
98078	Titan double vertical L-bracket
98079	Titan triple vertical L-bracket
98000	Universal traffic director L-bracket
98003	Traffic director low profile bracket
98045	Universal arrow mounting bracket
98084	Mounting Bracket for 48" Titan Arrow on trucks with Back Rack

CONTROL SOLUTIONS

Switch Panels and Boxes



Part #	Vdc	# of Switches	Switch #1	Switch #2	Switch #3	Switch #4	Amps	Dimensions
766150	12	1	on/off				10	2" W x 2 3/8" H x 1 1/2" D
766152	12	2	on/off	on/off			20	3" W x 2 3/8" H x 1 1/2" D
766153	12	3	on/off	on/off	on/off		30	4" W x 2 3/8" H x 1 1/2" D
766154	12	4	on/off	on/off	on/off	on/off	40	5" W x 2 3/8" H x 1 1/2" D
766155	12	2	on/off	3 position			10	3" W x 2 3/8" H x 1 1/2" D
766163	12	2	on/off	Momentary ground switch			10	3" W x 2 3/8" H x 1 1/2" D
766171	12	3	on/off	on/off	Momentary		20	4" W x 2 3/8" H x 1 1/2" D
766175	12	2	on/off	Momentary positive switch			10	3" W x 2 3/8" H x 1 1/2" D
766250	24	1	on/off				10	2" W x 2 3/8" H x 1 1/2" D
766252	24	2	on/off	on/off			20	3" W x 2 3/8" H x 1 1/2" D
766253	24	3	on/off	on/off	on/off		30	4" W x 2 3/8" H x 1 1/2" D
766254	24	4	on/off	on/off	on/off	on/off	40	5" W x 2 3/8" H x 1 1/2" D
766255	24	2	on/off	3 position			10	3" W x 2 3/8" H x 1 1/2" D
766263	24	2	on/off	Momentary ground switch			10	3" W x 2 3/8" H x 1 1/2" D
766271	24	3	on/off	on/off	Momentary		20	4" W x 2 3/8" H x 1 1/2" D
766275	24	2	on/off	Momentary positive switch			10	3" W x 2 3/8" H x 1 1/2" D



76000 - Heavy Duty



76001 - Slimline



76100 - Backup Alarm Switch

Features

- Back-illuminated labelling plaques
- Simple color coded wiring harness
- All hardware and mounting bracket included
- Basic labels included to customize your channels

Part #	# of Switches	Switch #1	Switch #2	Switch #3	Switch #4	Switch #5	Switch #6	Amps	Dimensions
76000	6	30A	10A	10A	10A	10A	10A	50A	6 1/4" W x 2 1/4" H x 5 3/4" D
76001	6	5A	5A	5A	5A	5A	5A	30A	6 1/4" W x 2" H x 1 1/2" D
76100	1	-	-	-	-	-	-	5A	

REPLACEMENT PARTS

Cables and Cords



96013



96014



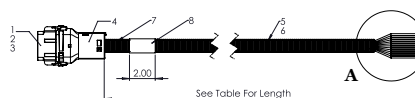
77100



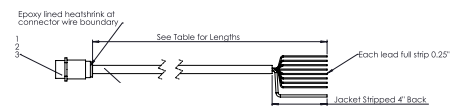
77280



77206-77207



77265-77273















77200 - 77205 & 77211

Part #	Description	
96013	12' cigarette cord with on/off and momentary switches	
96014	Heavy duty 12' cigarette cord, on/off, 15 amp fuse	
77100	16 AWG, 3 conductor shielded cable sold by the foot	
77200 - 20'	Main Power Cable for Traffic Directors and Arrows	
77201 - 30'		
77202 - 40'		
77203 - 50'		
77204 - 60'		
77205 - 70'		
77211 - 80'		
77206 - 10'		Extension Cable
77207 - 20'	Extension Cable	
77250 - 20'	Extension Cable	
77251 - 30'		
77252 - 40'		
77253 - 50'		
77265 - 20' - Fleet Plus		Main Power Cables for the 57000 Series
77266 - 30' - Fleet Plus		
77267 - 40' - Fleet Plus		
77268 - 50' - Fleet Plus		
77260 - 20' - Fleet	Extension Cables. These are meant to connect 77504 to the actual product. Also the cable that connects the two splits together	
77261 - 30' - Fleet		
77262 - 40' - Fleet		
77263 - 50' - Fleet		
77270 - 10'		
77271 - 20'	Used to connect the 57000 series Fleet products to currently installed 9 position connector wiring	
77272 - 30'		
77273 - 40'		
77280		

REPLACEMENT PARTS

Domes and Lenses

Part #	Description
 300	300-Color Lens for high profile Fleet & Fleet Plus products in beacon styles 200A, 201B, 238xx and 24xxx mini lightbars)
 300-S	
 877334	877334 - Amber 877335 - Blue 877336 - Red 877337 - Clear 877338 - Green 299 - Color Lens for medium profile Fleet products in beacon style 208R
 299	
 298	
 877454	
 877453	
 877461	877454 - Amber 877456 - Blue 877458 - Red 877452 - Clear 877453 - Amber 877455 - Blue 877457 - Red 877451 - Clear 877461 - Amber 877463 - Blue 877465 - Red 877459 - Clear
 877462	
 330	
 333	
 877346	
	330 - Color Lens for mini profile Fleet products in beacon styles 200Z and 201Z
	333 - Color Lens for high profile Fleet products in 16xxx mini lightbars
	877346 - Amber 877347 - Blue 877348 - Red 877349 - Clear Lens for low profile Fleet 16xxx mini lightbars

A= Amber | B= Blue | C= Clear | R= Red | G= Green | M= Magenta

REPLACEMENT PARTS

Domes & Lenses



134-1-B



134-1-C



877226

877228



134-1



134-2



877401



877227



877211



877201

Features

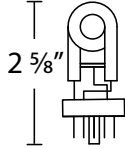
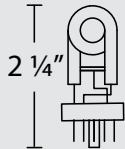
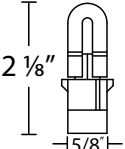



- High polished impact resistant polycarbonate lenses and domes for beacons and mini lightbars

Part #	Description
134-1 - Color	Outer dome for high profile products in beacon styles 200A, 226xx,236xx, 2810x and 450A
134-2 - Color	Outer dome for high profile products in beacon style 201B
877401 - Amber	Medium profile dome for 280xx
877402 - Blue	
877403 - Clear	
877404 - Green	
877227 - Amber	Outer dome for low profile 16xxx mini lightbars
877228 - Blue	
877226 - Clear	
877230 - Magenta	
877211 - Amber	Outer dome for high profile 16xxx mini lightbars
877212 - Blue	
877215 - Red	
877213 - Clear	
877201 - Amber	Outer dome for high profile 24xxx mini lightbars
877202 - Blue	
877205 - Red	
877203 - Clear	
877209A	Outer dome for Eclipse
877209B	
877209R	
877209G	
877209C	

A= Amber | B= Blue | C= Clear | R= Red | G= Green | M= Magenta

REPLACEMENT PARTS

Bulbs

Part #	Description
129	 <p>2 5/8"</p> <p>Replacement strobe tube for high profile strobe beacons</p>
129-S	 <p>2 1/4"</p> <p>Replacement strobe tube for medium profile strobe beacons</p>
129-Z	 <p>2 1/8"</p> <p>1 5/8"</p> <p>Replacement strobe tube for low profile strobe beacons</p>
2073-796	 <p>35 watt, 12Vdc replacement bulb for rotator products, single contact</p>
2073-H50W24V	 <p>50 watt, 24Vdc replacement bulb for rotator products, single contact</p>
2073H50W12S	 <p>50 watt, 12Vdc replacement bulb for rotator products, single contact</p>

REPLACEMENT PARTS

LED Circuits



79821



79826



79855



79856



79862



79864



79865



79866














79880

SWS Product	Color	Amber	Blue	White	Green	Magenta	Red
160xx Series High Profile LED Mini lightbar PM & MM		79856	79856	79856	N/A	N/A	79856
168xx Series Low Profile LED Mini lightbar PM & MM		79855	79855	79855	N/A	79855	79855
2079x Series Fleet Plus Beacon PM		79880	79891	79888	N/A	N/A	79880
207xx Series Fleet Plus Beacon MM		79879	79886	79884	N/A	N/A	79879
200Z Series & 201Z Series LED Beacons PM & MM		79822	79822	79822	79822	79822	79822
204R Series LED Beacon PM & MM		79821	79821	79821	79821	N/A	79821
208R Series LED Beacon PM & MM		79826	79826	79826	N/A	N/A	79826
200S Series LED Beacon PM & MM		79866	79866	79866	79866	79866	79866
200-A Series & 201B Series LED Beacons PM & MM		79862	79862	79862	79862	79862	79862
27xxx Series Low Profile LED Beacon PM & MM		79866	79866	79866	79866	79866	79866
27xxx Series Medium Profile LED Beacon PM & MM		79862	79862	79862	79862	79862	79862
237xx Series High Profile Fleet Plus LED Beacon (Pg. 7)		79866	79866	79866	79866	79866	79866
238xx Series Low Profile Fleet Plus LED Beacon PM & MM		79896	79898	79865	79865	N/A	79896
238xx Series Medium Profile Fleet Plus LED Beacon PM & MM		79890	79895	79864	79864	79864	79890
238xx Series High Profile Fleet Plus LED Beacon (Pg. 6)		79896	79898	79865	N/A	N/A	N/A
238xx Series High Profile Fleet Plus LED Beacon PM (Alum. Base)		79890	79895	79864	79864	79864	79890
Titan Series		79906	79908	-	-	-	-
50xxx Series		79857	-	-	-	-	-

REPLACEMENT PARTS

Miscellaneous

Part #		Description
Switch Kit		
766170		Cable switch kit includes 766163 and 20' cable
Control Box		
77501		Control box for LED traffic directors and arrows
77504		Outdoor Rated Control box for Fleet 57000 series traffic directors and arrows
Hardware Kits		
198000		Mini lightbar mounting hardware kit
198069		Flange mount hardware kit
198067		Enclosed bottom automotive beacon hardware kit
198032		Traffic director (<60") hardware kit
198070		Open bottom automotive beacon hardware kit
220018		A-Rubber for high profile, open bottom bases
79914		Replacement clips for Titan Snowplow 560xx clips Set of 12
79915		Replacement clips for Titan Arrows, Traffic Directors, Warning Sticks 57xxx clips Set of 5

LIMITED WARRANTY & RETURN POLICY



SWS Warning Lights Inc. (SWS) warrants each product manufactured by SWS, to be free of defects in material or workmanship for the periods listed in this Limited Warranty Policy. This warranty is non-transferable and applies only to the original end-user/purchaser of the product and is terminated upon the resale or for any subsequent purchaser or owner of the product.

To qualify for warranty, products must be installed and used in accordance with the manufacturer's recommendations. Products or components will be repaired or replaced at the discretion of the SWS Factory Repair Department, providing the product is used under normal working conditions. Warranty will not be honored if the product is altered, installed improperly, abused, misused, physically damaged, wired incorrectly, or if the serial numbers/date codes have been removed, altered or rendered illegible. SWS will not be held liable for: loss of use of the product, loss of time, inconvenience, commercial loss, incidental or consequential damages, including the cost of any labor.

SWS Factory Repair Details

Please check for the following before returning. Products with these issues will not qualify for warranty:

- Inspect all wiring connections for improper crimps, frayed connections and loose wires.
- Check all fuses, bulbs and strobe tubes; replace with genuine SWS products only and specified fuses.
- Failure to use genuine SWS components or specified fuses will void the warranty.
- Check supply voltage to the product – (test directly at the product, voltage drops can occur with under-size conductors).
- Check input power supply for correct voltage and current draw

To receive immediate repair work, an RMA (Return Merchandise Authorization) number must be obtained for Warranty or Non-Warranty needs.

This can be done through your local distributor or call the Factory Repair Department toll free at 1-877-357-0222 ext 225.

1. Obtain your RMA number through your local distributor or directly from the factory.
2. Clearly mark the shipping carton with the supplied RMA number.
3. Return product, freight prepaid, to
SWS Factory Repair Department,
7695 Blackburn Pkwy.
Niagara Falls, ON L2H 0A6, Canada
4. Include a copy of the original sales receipt.
5. Include a brief statement highlighting the issues/problems with the product.
6. Include a contact name, address, daytime telephone number and/or e-mail address.
7. After evaluating repair component and labor costs, SWS will contact you for approval to proceed with the repair.
8. If product is Non-Warranty, SWS will ship the repaired product (freight collect) to the address included with the product.
9. If the product is under Warranty, SWS will ship the repaired product (prepaid ground) to the address included with the product.

INDEX

60.....	60	299.....	76	16625.....	27
61.....	60	300.....	76	16626.....	27
62.....	60	300-S.....	76	16667.....	27
129.....	78	330.....	76	16884.....	30
129-S.....	78	333.....	76	16931.....	31
129-Z.....	78	2000.....	62	20004-GO.....	62
134-1.....	77	2020.....	62	20074-GO.....	62
134-2.....	77	2021.....	62	20514.....	62
175.....	73	2051.....	62	20574.....	62
177.....	70	2073-796.....	78	20760.....	18
177-25.....	70	2073H50W12S.....	78	20761.....	18
200A-12V-A.....	5	2073-H50W24V.....	78	20762.....	18
200A-12V-B.....	5	3000.....	62	20765.....	18
200A-12V-C.....	5	3049.....	62	20780.....	20
200A-12V-G.....	5	3051.....	62	20781.....	20
200A-12V-R.....	5	3067.....	62	20782.....	20
200A-72V-A.....	5	16001.....	33	20785.....	20
200A-72V-C.....	5	16006.....	33	20790.....	18
200A-72V-R.....	5	16031.....	32	20791.....	18
200S-12V-A.....	13	16032.....	32	20792.....	18
200S-12V-B.....	13	16211.....	29	20793.....	18
200S-12V-C.....	13	16214.....	29	20796.....	20
200S-72V-A.....	13	16310.....	28	20796B.....	20
200S-72V-C.....	13	16311.....	28	20797.....	20
200S-72V-R.....	13	16312.....	28	20798.....	20
200SM-12V-A.....	13	16313.....	28	20799.....	20
200SM-12V-B.....	13	16338.....	28	22117.....	24
200Z-12V-A.....	19	16348.....	28	22124.....	68
200Z-12V-B.....	19	16349.....	28	22332.....	24
200Z-12V-C.....	19	16350.....	28	22333.....	24
200ZM-12V-A.....	19	16351.....	28	22335.....	24
200ZM-12V-B.....	19	16361.....	68	22336.....	24
200ZM-12V-G.....	19	16362.....	69	22342.....	24
201Z-12V-A.....	21	16363.....	69	22609.....	24
201Z-12V-B.....	21	16364.....	69	23101.....	16
201Z-12V-C.....	21	16392.....	30	23102.....	16
201ZB-12V-A.....	21	16393.....	30	23105.....	16
201ZB-12V-B.....	21	16394.....	30	23106.....	16
201ZM-12V-A.....	21	16395.....	30	23109.....	16
201ZM-12V-B.....	21	16398.....	30	23400.....	15
201ZM-12V-G.....	21	16399.....	30	23400M.....	15
201ZS-12V-A.....	21	16610.....	26	23400V.....	15
204R-12V-A.....	22	16611.....	26	23500.....	14
204RM-12V-A.....	22	16612.....	26	23500M.....	14
208R-12V-A.....	9	16613.....	26	23500V.....	14
208RM-12V-A.....	9	16615.....	26	23600.....	8
230S-12V-A.....	12	16616.....	26	23600M.....	8
230SM-12V-A.....	12	16617.....	26	23600V.....	8
230SV-12V-A.....	12	16618.....	26	23715.....	17
298.....	76	16619.....	26	23802.....	4

23803.....	4	28012.....	23	57748-2.....	43
23804.....	4	28014.....	23	57748-3.....	43
23805.....	4	28031.....	23	57754-1.....	43
23806.....	4	28032.....	23	57754-2.....	43
23815.....	10	28100.....	23	57754-3.....	43
23816.....	10	28101.....	23	57760-1.....	43
23817.....	16	28105.....	23	57760-2.....	43
23818.....	16	28106.....	23	57760-3.....	43
23819.....	10	54000.....	50	57766-1.....	43
23820.....	10	54002.....	50	57766-2.....	43
23821.....	16	55010.....	49	57766-3.....	43
23822.....	16	56045.....	69	57772-1.....	43
23827.....	10	56046.....	68	57772-2.....	43
23835.....	6	57136.....	55	57772-3.....	43
23840.....	6	57148.....	55	57818-1.....	44
23860.....	6	57324.....	53	57818-2.....	44
26040.....	35	57330.....	53	57818-3.....	44
26041.....	35	57336.....	53	57824-1.....	44
26050.....	35	57342.....	53	57824-2.....	44
26051.....	35	57348.....	53	57824-3.....	44
26052.....	35	57354.....	53	57830-1.....	44
26060.....	35	57360.....	53	57830-2.....	44
26061.....	35	57366.....	53	57830-3.....	44
27001.....	11	57372.....	53	57836-1.....	44
27002.....	11	57424.....	52	57836-2.....	44
27003.....	11	57430.....	52	57836-3.....	44
27006.....	17	57436.....	52	57924.....	58
27007.....	17	57442.....	52	57936.....	58
27008.....	17	57448.....	52	57948.....	58
27011.....	11	57449.....	52	57960.....	58
27015.....	11	57454.....	52	57972.....	58
27016.....	17	57460.....	52	58000.....	47
27020.....	17	57466.....	52	58001.....	47
27021.....	11	57472.....	52	58002.....	47
27022.....	11	57518.....	54	58003.....	47
27023.....	11	57524.....	54	58006.....	47
27026.....	17	57530.....	54	58007.....	47
27027.....	17	57536.....	54	58008.....	47
27061.....	11	57542.....	54	58009.....	47
27066.....	17	57548.....	54	58011.....	45
27067.....	17	57724-1.....	43	58014.....	47
27112.....	11	57730-1.....	43	58015.....	47
27113.....	11	57730-2.....	43	58016.....	47
27151.....	7	57736-1.....	43	58017.....	47
27152.....	7	57736-2.....	43	58018.....	47
27153.....	7	57736-3.....	43	58019.....	47
28001.....	23	57742-1.....	43	58022.....	47
28002.....	23	57742-2.....	43	58023.....	47
28003.....	23	57742-3.....	43	58024.....	47
28011.....	23	57748-1.....	43	58025.....	47

INDEX

58035	45	77261	75	80055	40
58050	45	77262	75	80055W	40
58051	45	77263	75	80056	40
58055	45	77265	75	80056W	40
58056	45	77266	75	80057	40
58057	45	77267	75	80057W	40
58058	45	77268	75	80058	38
58059	45	77270	75	80059	38
58061	45	77271	75	80065	38
58063	45	77272	75	80066	38
58080	47	77273	75	80071	38
58081	47	77280	75	80072	38
58082	47	77501	51, 80	80073	38
58083	47	77504	51, 80	80074	38
58084	47	79821	79	80075	38
58085	47	79822	79	80080	38
58086	47	79826	79	80081	38
58087	47	79855	79	80084	38
58088	47	79856	79	80090	39, 73
59000	56	79857	79	80091	73
59010	56	79862	79	80258	39
59020	56	79864	79	80265	39
59042	56	79865	79	80266	39
59050	56	79866	79	80271	39
59051	57	79871	50	80272	39
59056	57	79879	79	80273	39
59080	56	79880	79	80274	39
59100	56	79884	79	80275	39
59140	56	79886	79	80278	39
75032	68	79888	79	80280	39
75033	69	79890	79	80281	39
75035	69	79891	79	80291	39, 73
76000	74	79895	79	82001PC	36
76001	74	79896	79	82002PC	36
76100	74	79898	79	82003PC	36
77100	75	79906	79	82005PC	36
77200	75	79908	79	82006PC	36
77201	75	79909	49	82015PC	37
77202	75	79914	80	82016PC	37
77203	75	79915	80	82026PC	37
77204	75	80010	40	82036PC	37
77205	75	80011	40	82056PC	37
77206	75	80012	40	82115PC	37
77207	75	80013	40	82116PC	37
77211	75	80014	40	82125PC	37
77250	75	80015	40	82126PC	37
77251	75	80016	40	82136PC	37
77252	75	80017	40	82156PC	37
77253	75	80054	40	93600	63
77260	75	80054W	40	93601	63

93602.....	63	98088F.....	71	877209A.....	77
93605.....	63, 68, 69	98091.....	64	877209B.....	77
93610.....	69	98092.....	64	877209C.....	77
93780.....	63	98093.....	64	877209G.....	77
93791.....	64	99202.....	61	877209R.....	77
93792.....	64	99212.....	61	877211.....	77
93793.....	64	99300.....	61	877212.....	77
93810.....	65	99303.....	61	877213.....	77
96000.....	70	99306.....	61	877215.....	77
96007.....	70	99309.....	61	877226.....	77
96011.....	70	99901.....	60	877227.....	77
96012.....	70	198000.....	80	877228.....	77
96013.....	75	198032.....	80	877230.....	77
96014.....	75	198067.....	80	877334.....	76
96021.....	70	198069.....	80	877335.....	76
96022.....	70	198070.....	80	877336.....	76
96023.....	70	200105.....	70	877337.....	76
96024.....	70	220018.....	80	877338.....	76
96042.....	68	405000.....	68, 69	877346.....	76
96043.....	69	405001.....	68, 69	877347.....	76
98000.....	73	405002.....	68, 69	877348.....	76
98003.....	73	722002.....	69	877349.....	76
98004.....	72	722068.....	68, 69	877401.....	77
98005.....	72	722069.....	68, 69	877402.....	77
98008.....	72	722070.....	68, 69	877403.....	77
98009.....	72	722071.....	68, 69	877404.....	77
98011.....	72	722072.....	68, 69	877451.....	76
98012.....	72	722075.....	69	877452.....	76
98014.....	72	722087.....	69	877453.....	76
98015.....	72	766150.....	74	877454.....	76
98017.....	72	766152.....	74	877455.....	76
98018.....	72	766153.....	74	877456.....	76
98022.....	34	766154.....	74	877457.....	76
98043.....	72	766155.....	74	877458.....	76
98045.....	73	766163.....	74	877459.....	76
98052.....	34	766170.....	80	877460.....	76
98059.....	34	766171.....	74	877461.....	76
98062.....	34	766175.....	74	877462.....	76
98074.....	34	766250.....	74	877463.....	76
98075.....	34	766252.....	74	877464.....	76
98076.....	36, 73	766253.....	74	877465.....	76
98077.....	36, 73	766254.....	74	877466.....	76
98078.....	36, 73	766255.....	74		
98079.....	36, 73	766263.....	74		
98080.....	72	766271.....	74		
98081.....	34	766275.....	74		
98084.....	73	877201.....	77		
98085.....	72	877202.....	77		
98086.....	72	877203.....	77		
98087.....	72	877205.....	77		

NOTES

A series of horizontal dotted lines for writing notes, separated by a solid horizontal line at the top and a solid horizontal line at the bottom.

A large area for taking notes, featuring a vertical dotted line on the left side and horizontal dotted lines for writing.

NOTES

A series of horizontal dotted lines for writing notes, separated by a solid horizontal line at the top and a solid horizontal line at the bottom.